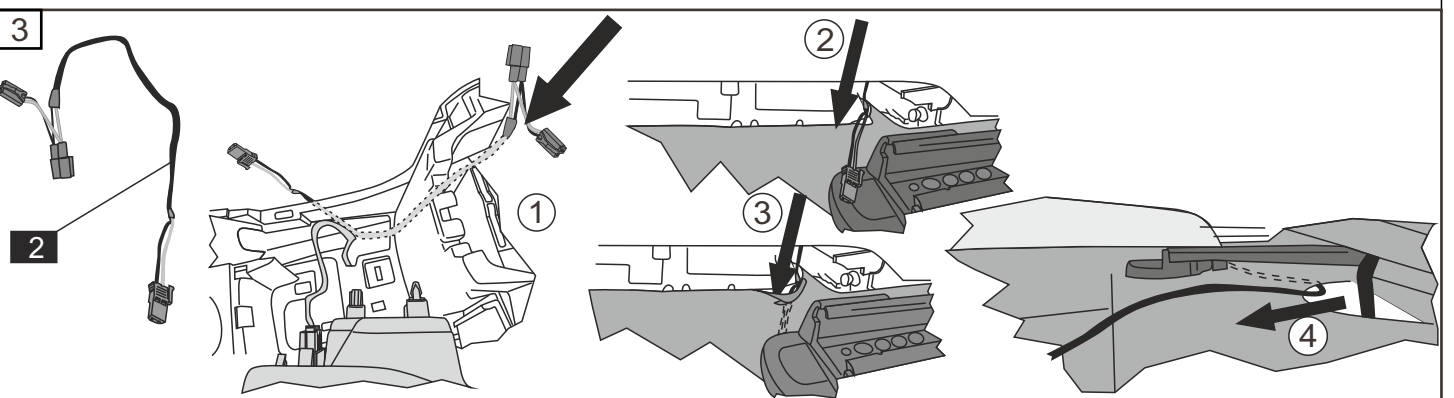
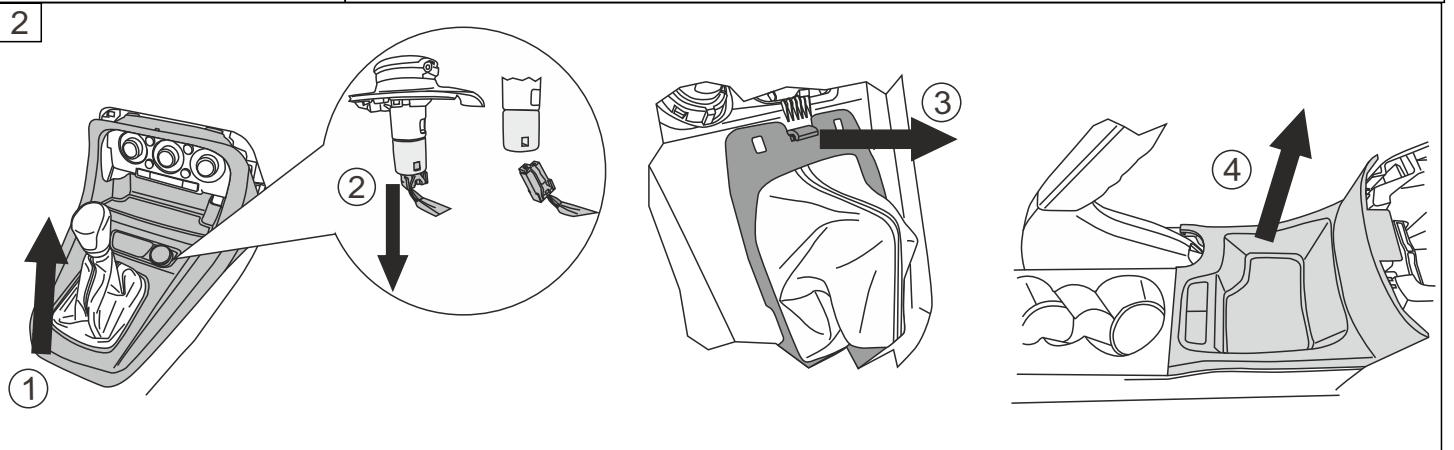
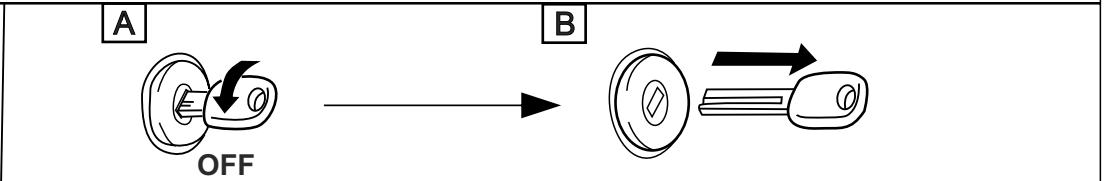
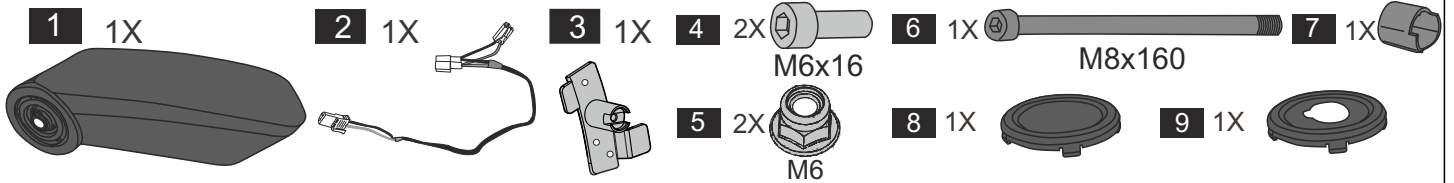
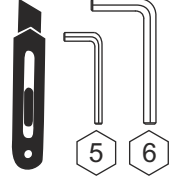
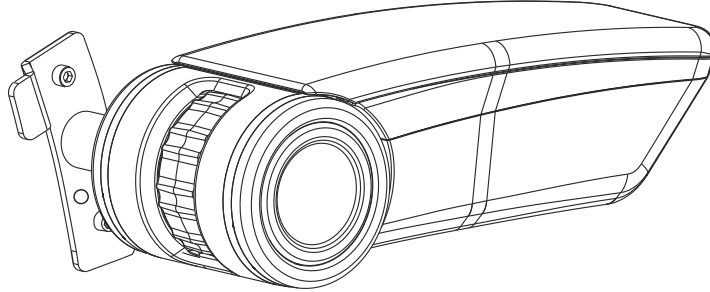


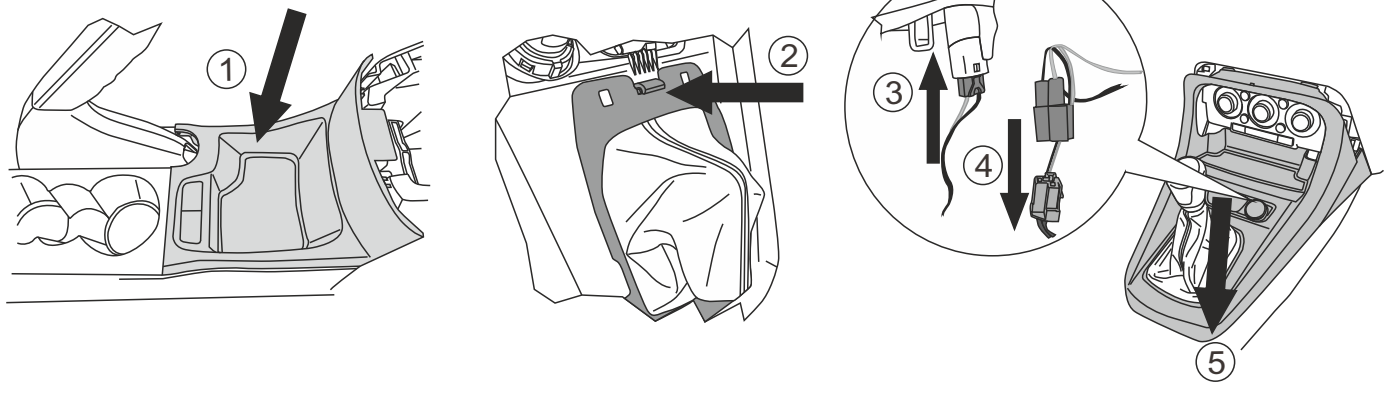
# Armrest KIT for KA+ Active 2017- LHD

ARMSTER OE1

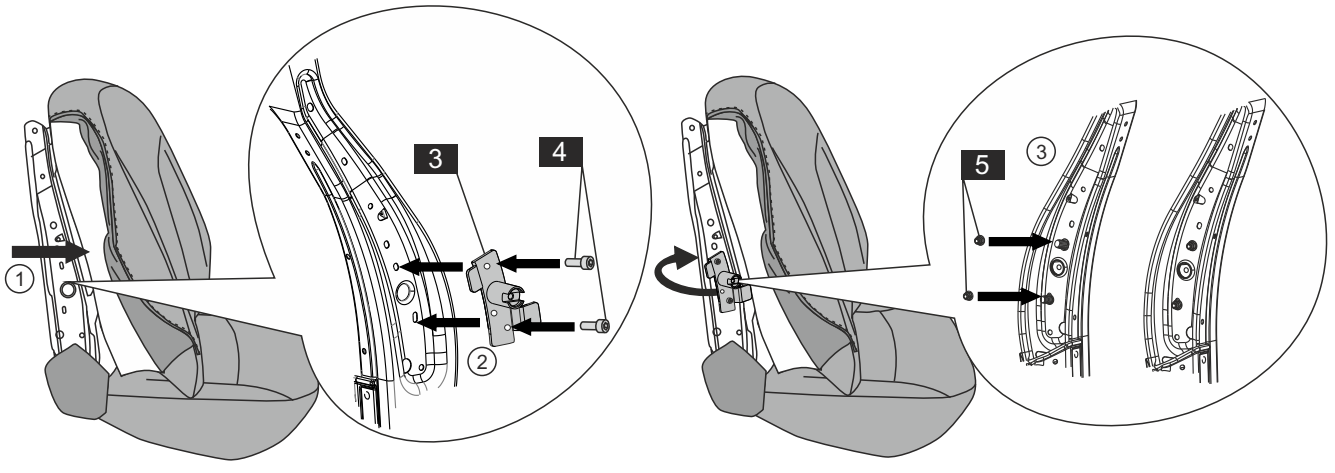
|    |                           |
|----|---------------------------|
| EN | CENTER ARMREST            |
| D  | MITTELARMLEHNE            |
| F  | ACCOUDOIR CENTRAL         |
| E  | APOYABRAZOS CENTRAL       |
| NL | CENTER CONSOLE            |
| I  | APPOGGIA BRACCIO CENTRALE |
| P  | CONSOLE                   |
| H  | KARTÁMASZ                 |
| CZ | OPĚRKY RUKY               |
| SK | STREDOVA OPIERKA RUKY     |
| SL | NASLON ROKE               |
| HR | NASLON ZA RUKU            |
| RO | COTIERĂ                   |
| RU | ПОДЛОКОТНИК               |
| PL | PODŁOKIETNIK              |
| TR | OTOMOBİL KOLÇAĞI          |



4



5



12 Nm

6

