

Mountain Top® Cargo Carrier



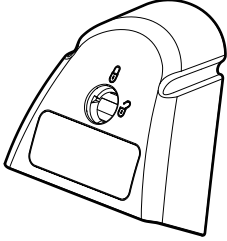
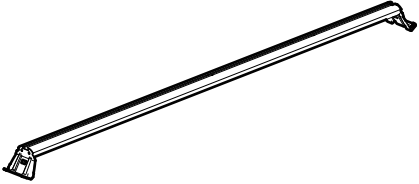
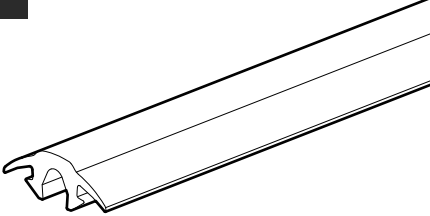
Installation manual



DOWNLOAD PDF

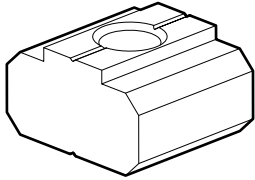
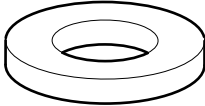
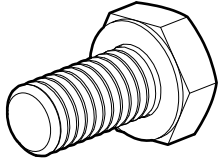
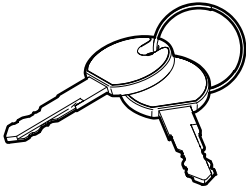
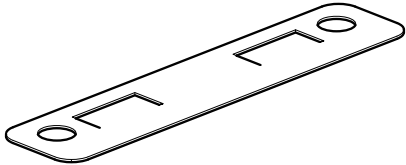
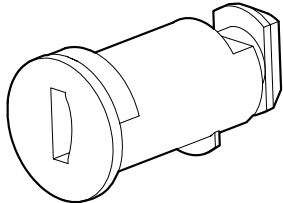


Parts

<p>A</p>  <p>TÜV</p> <p>x 1</p>	<p>B</p>  <p>Manual</p> <p>x 1</p>	
<p>C</p>  <p>x 4</p>	<p>D</p>  <p>x 2</p>	<p>E</p>  <p>x 1</p>

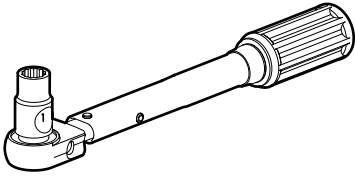
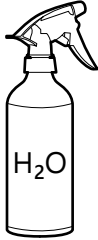
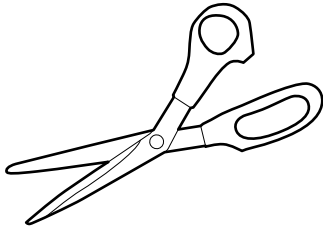


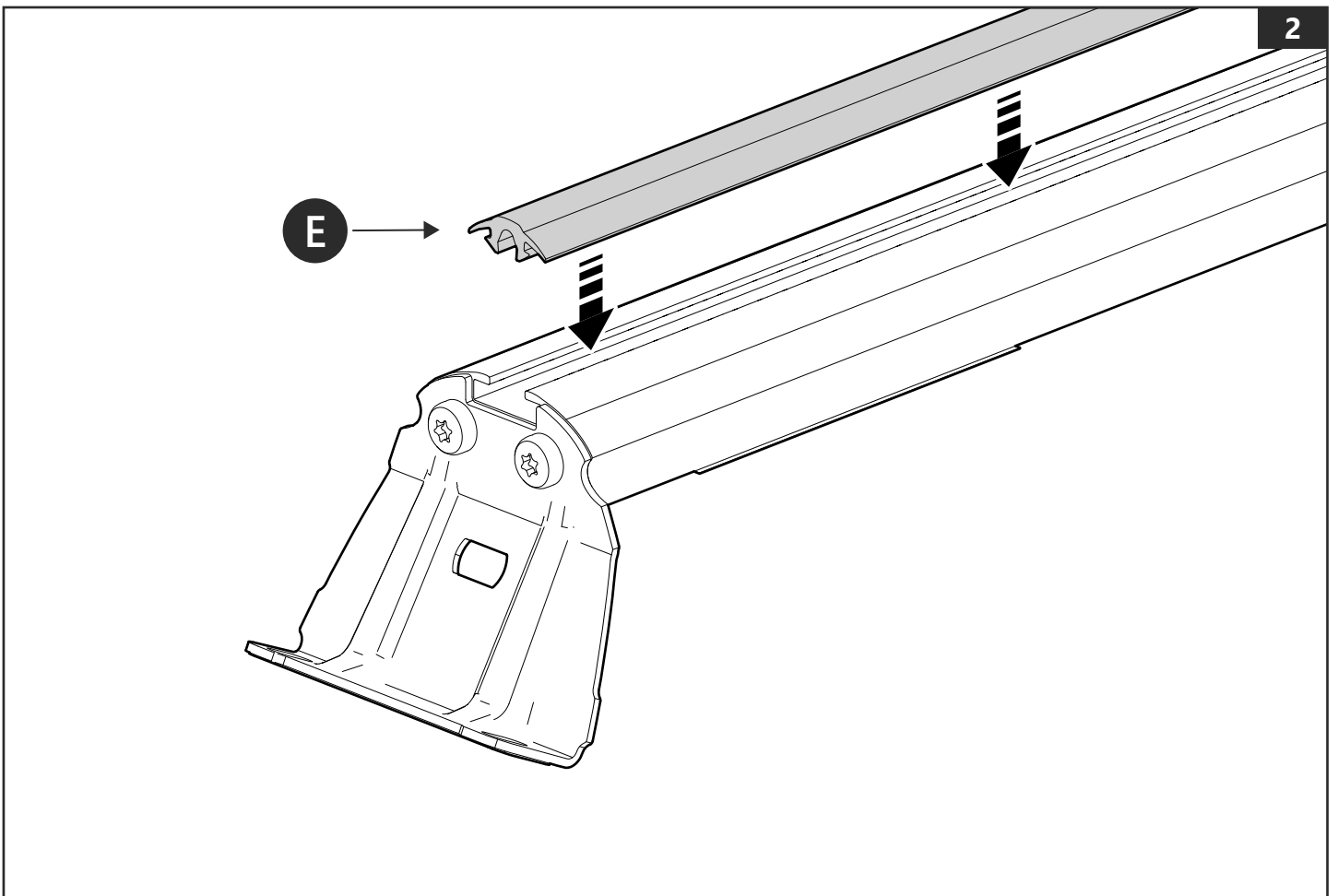
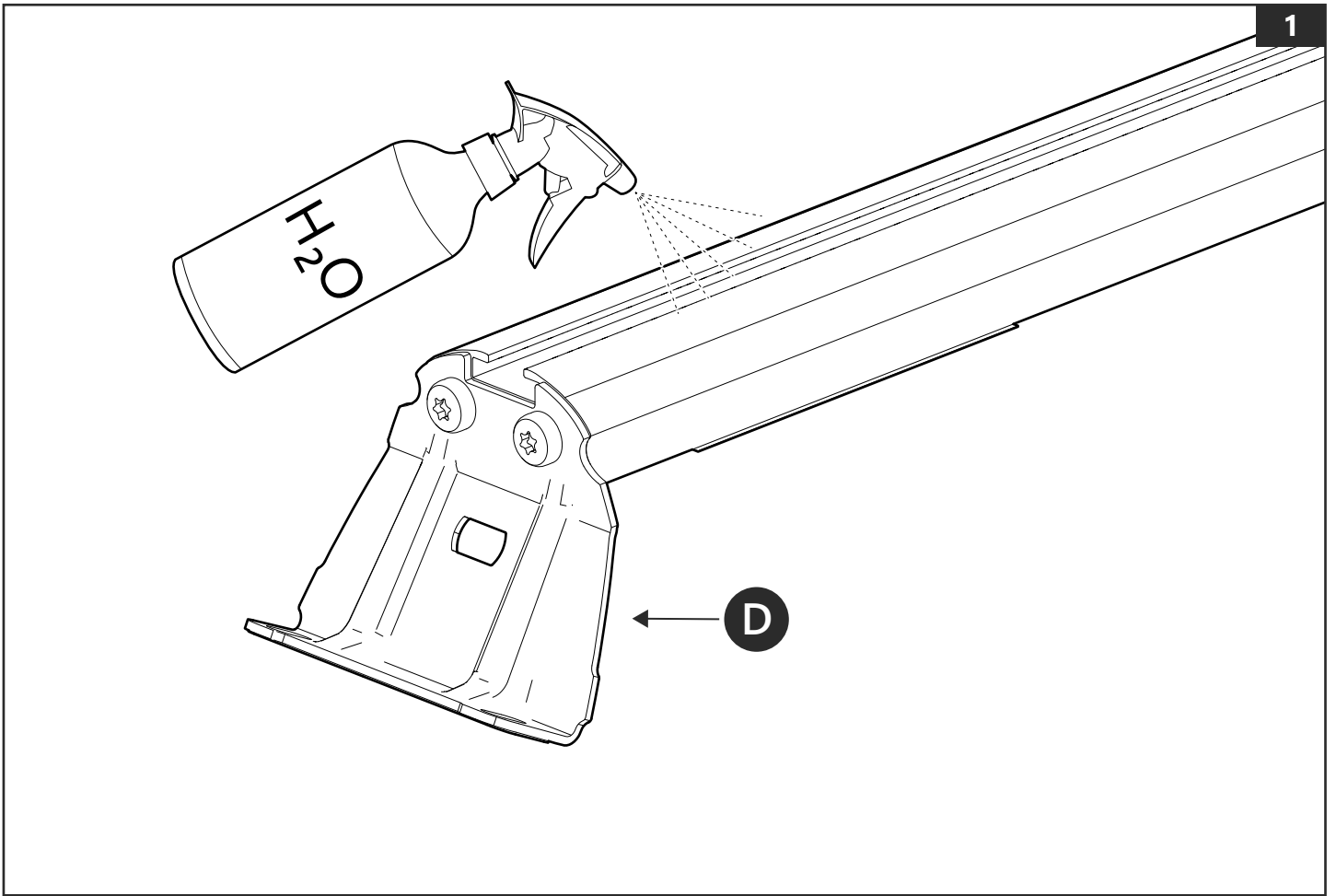
Kit # 824 201

<p>F</p>  <p>x 8</p>	<p>G</p>  <p>x 8</p>	<p>H</p>  <p>x 8</p>
<p>I</p>  <p>x 2</p>	<p>J</p>  <p>x 4</p>	<p>K</p>  <p>x 4</p>

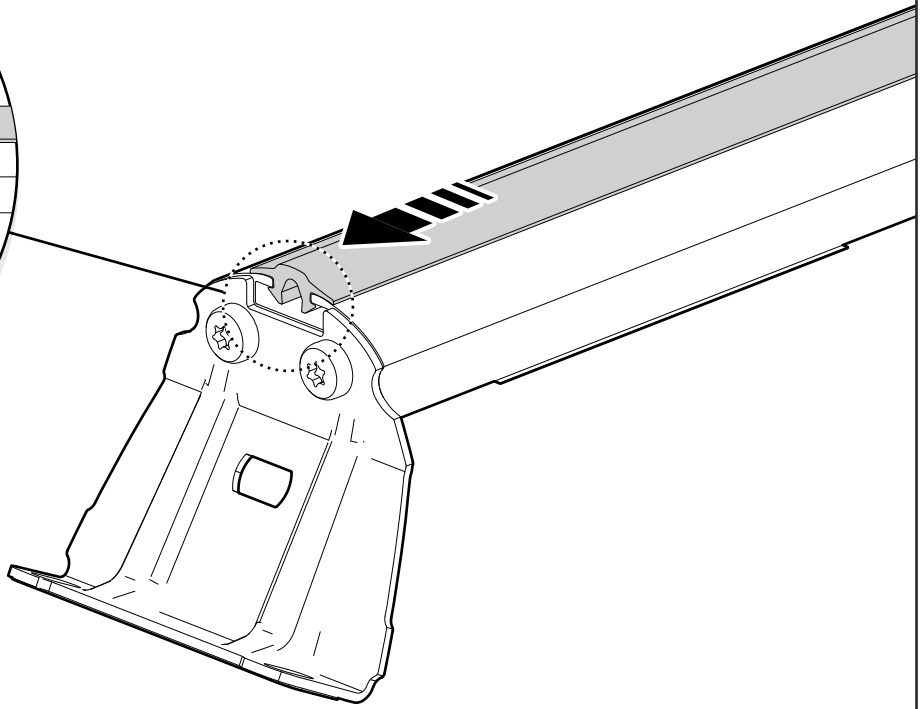
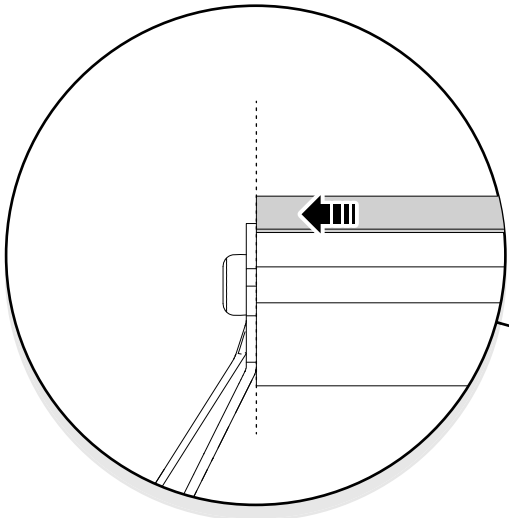


Tools and materials needed

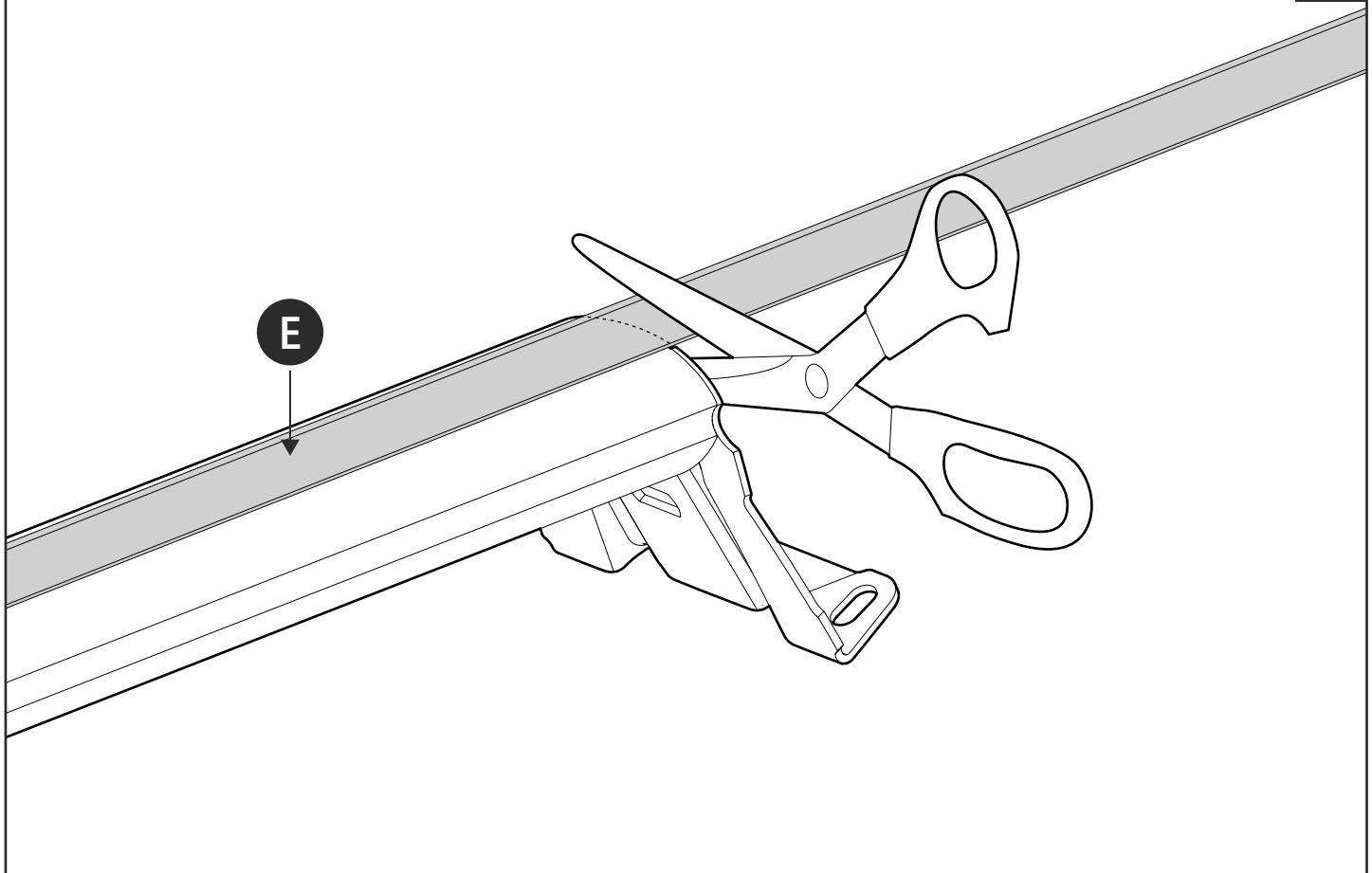
<p>1 - 25 Nm</p>  <p>○ 10 mm</p>	 <p>H₂O</p>	
---	---	---

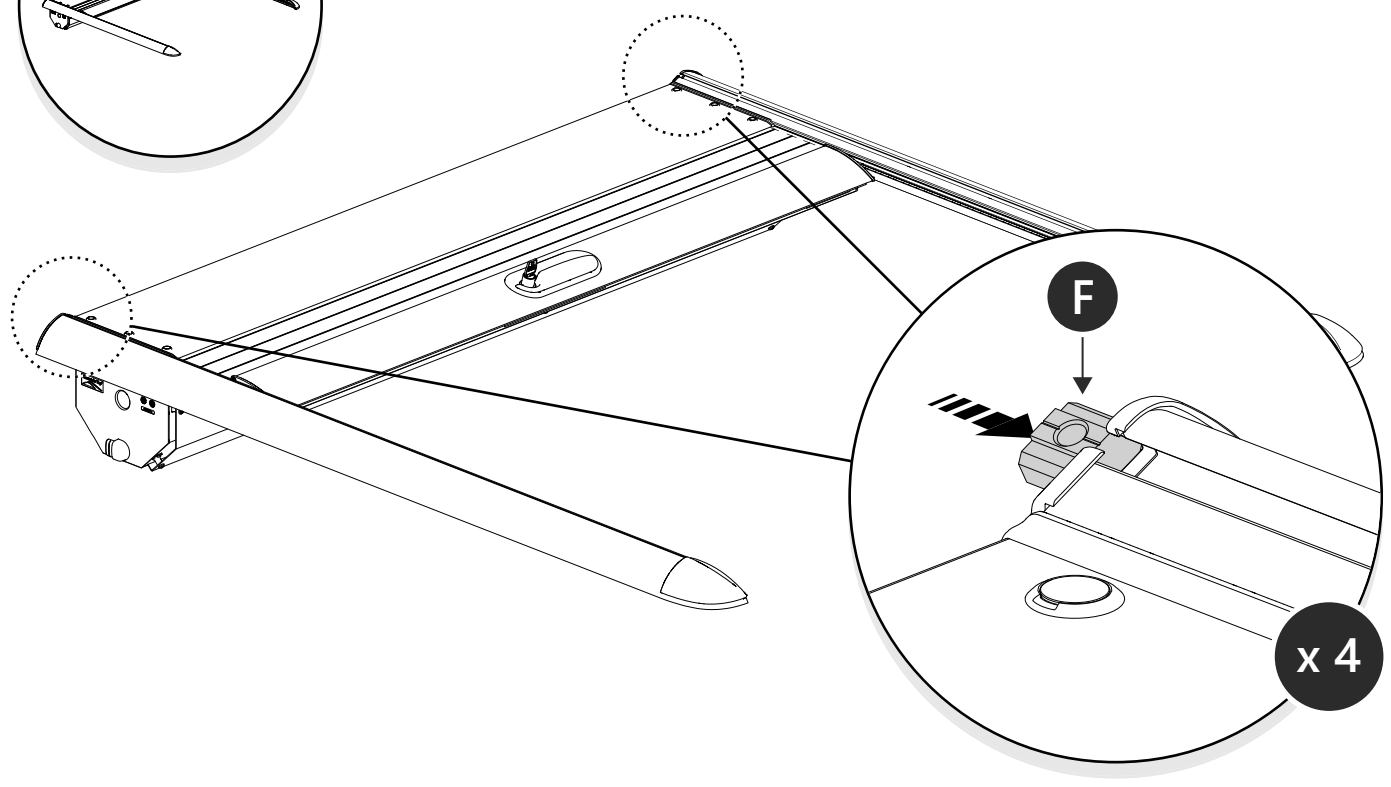
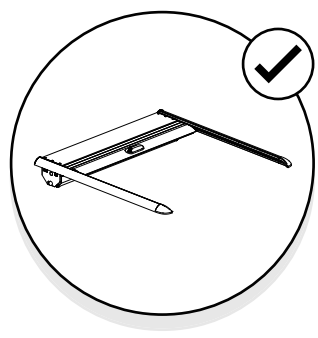
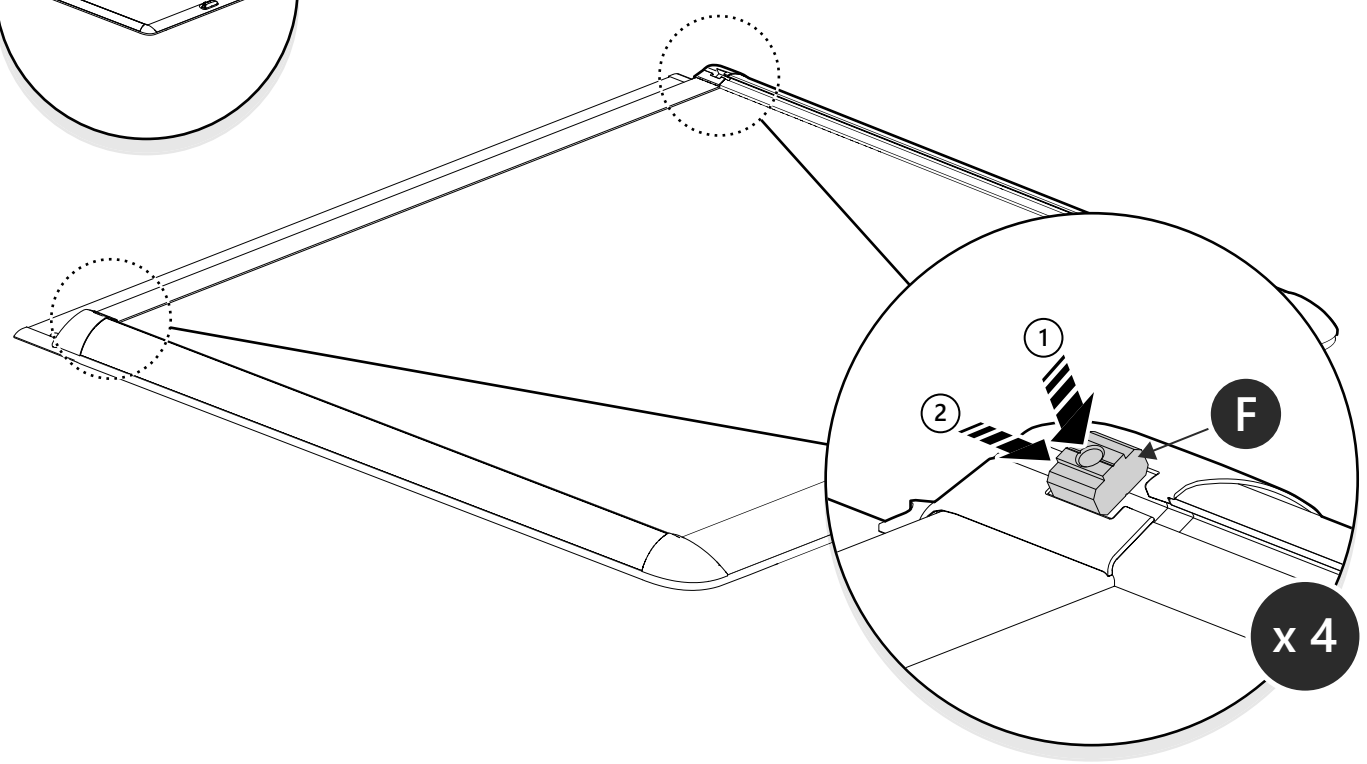
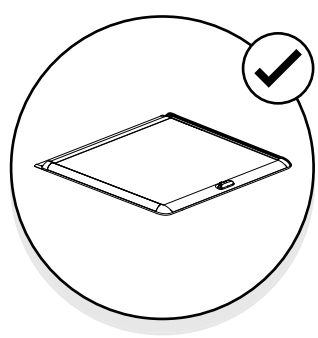


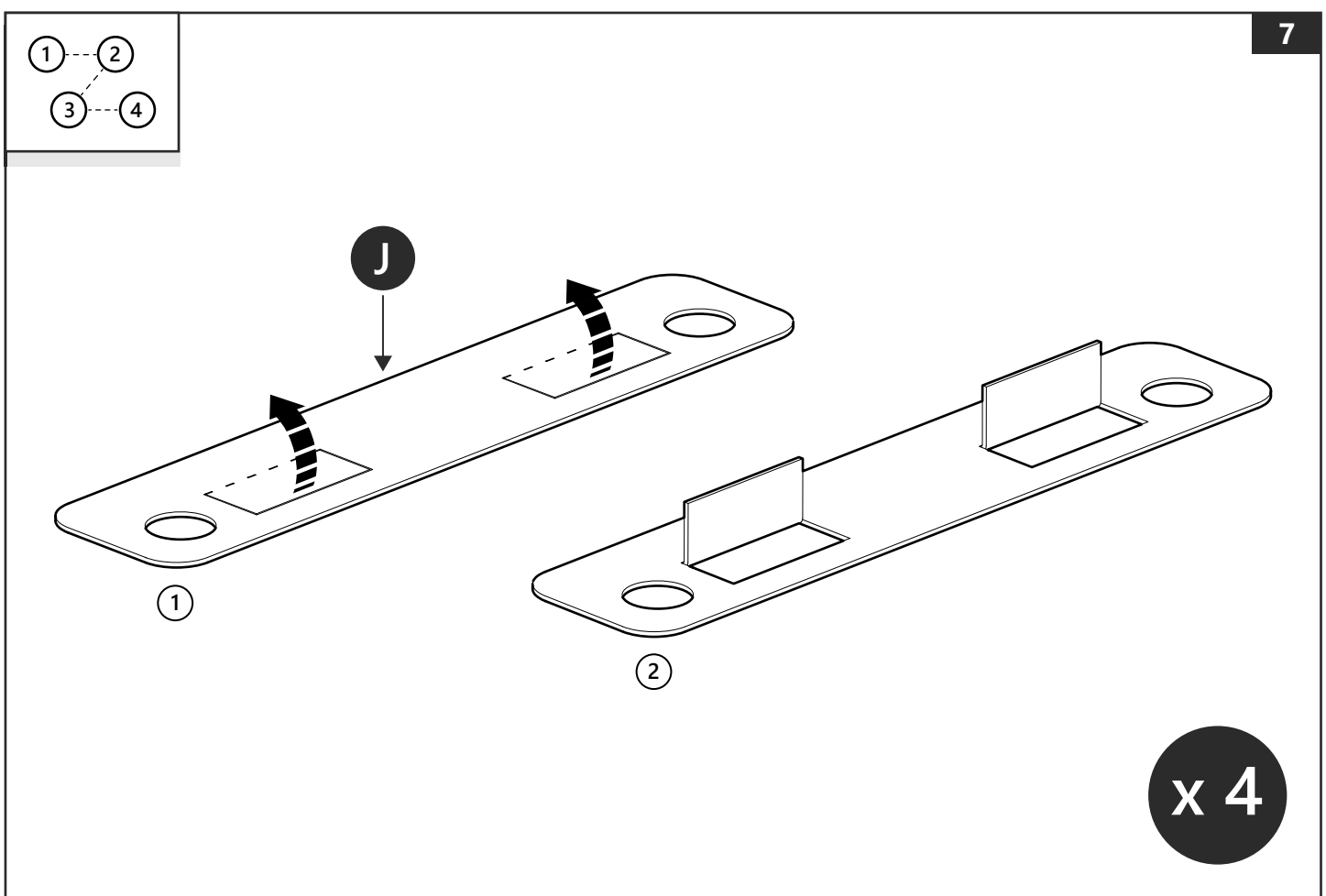
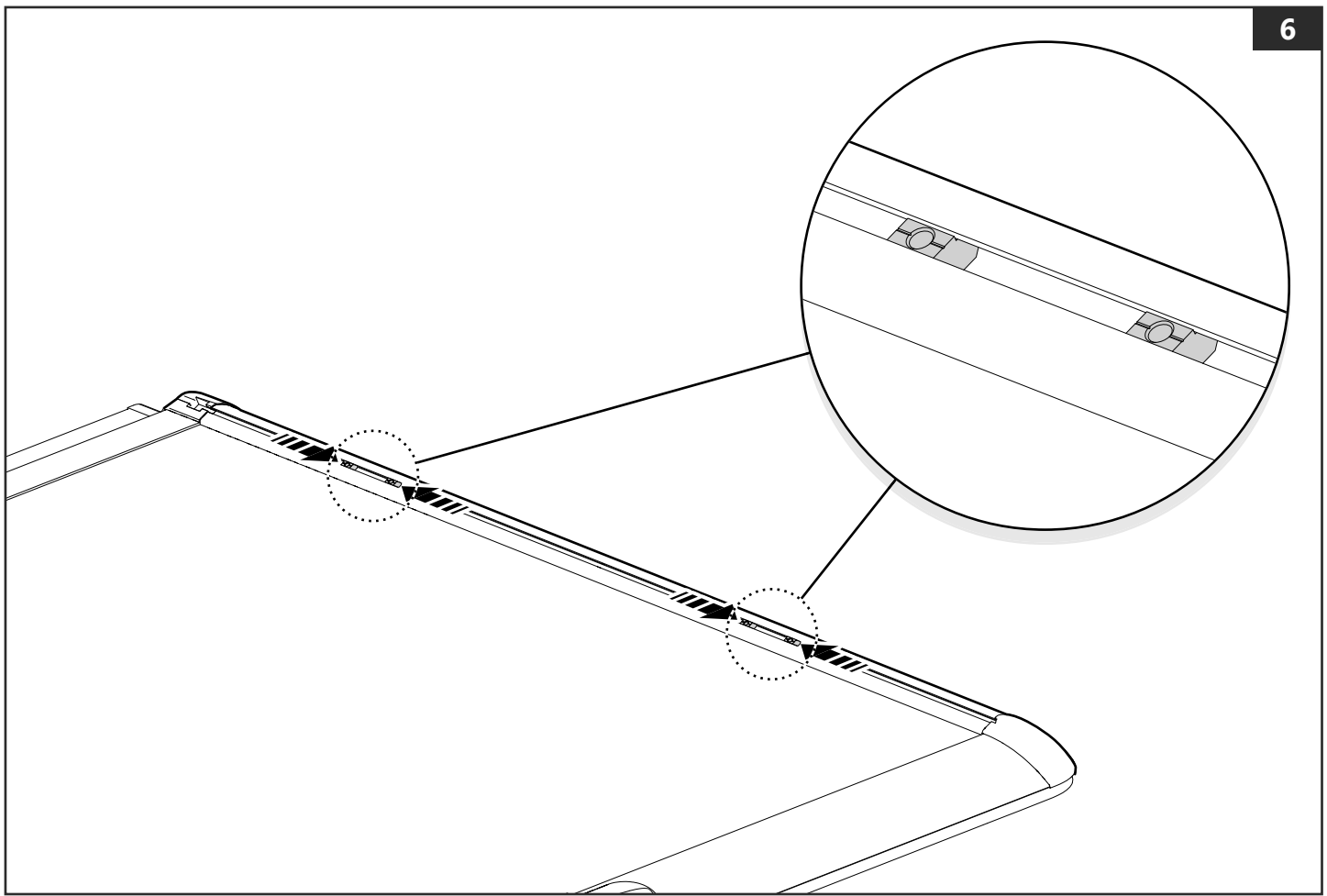
3

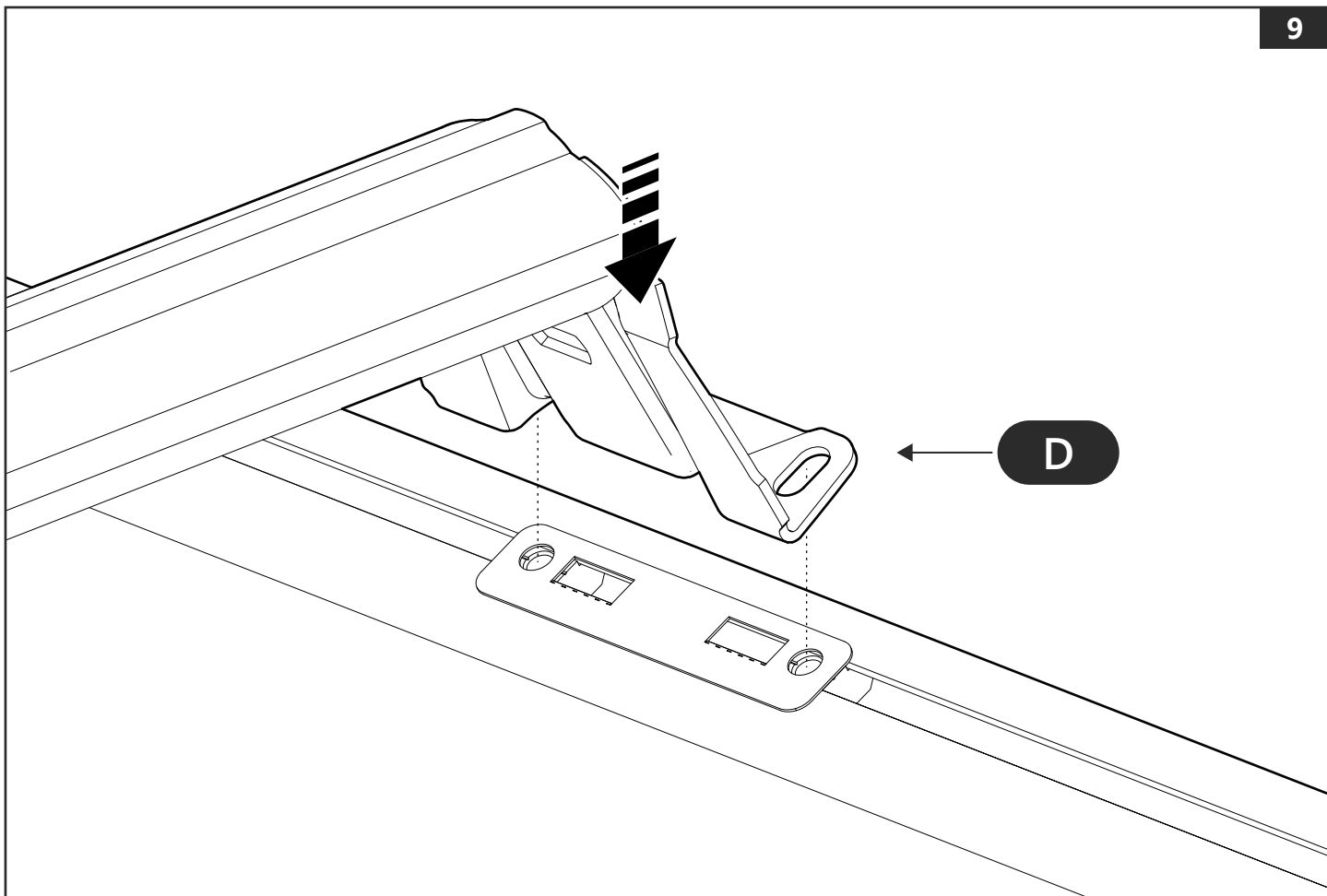
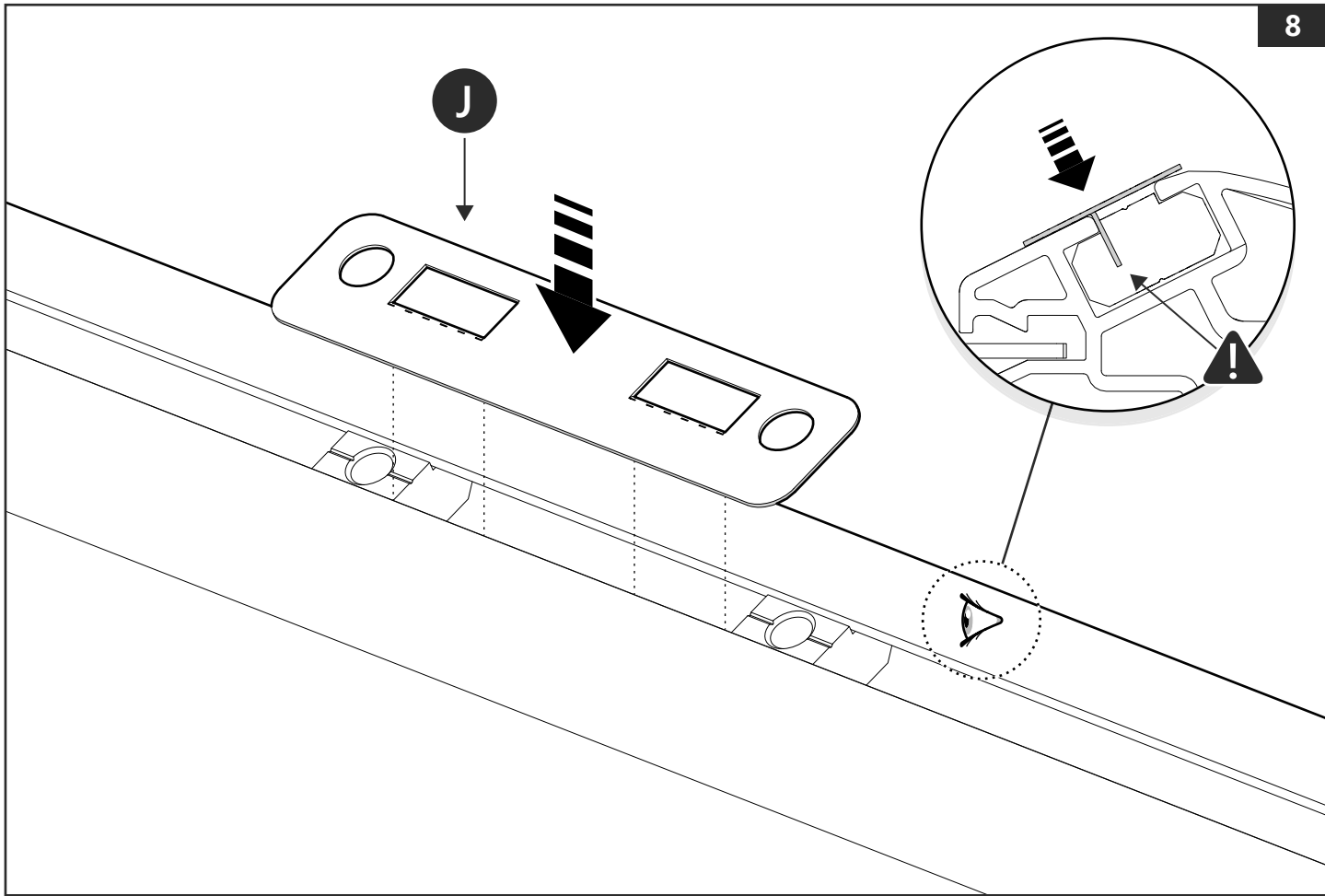


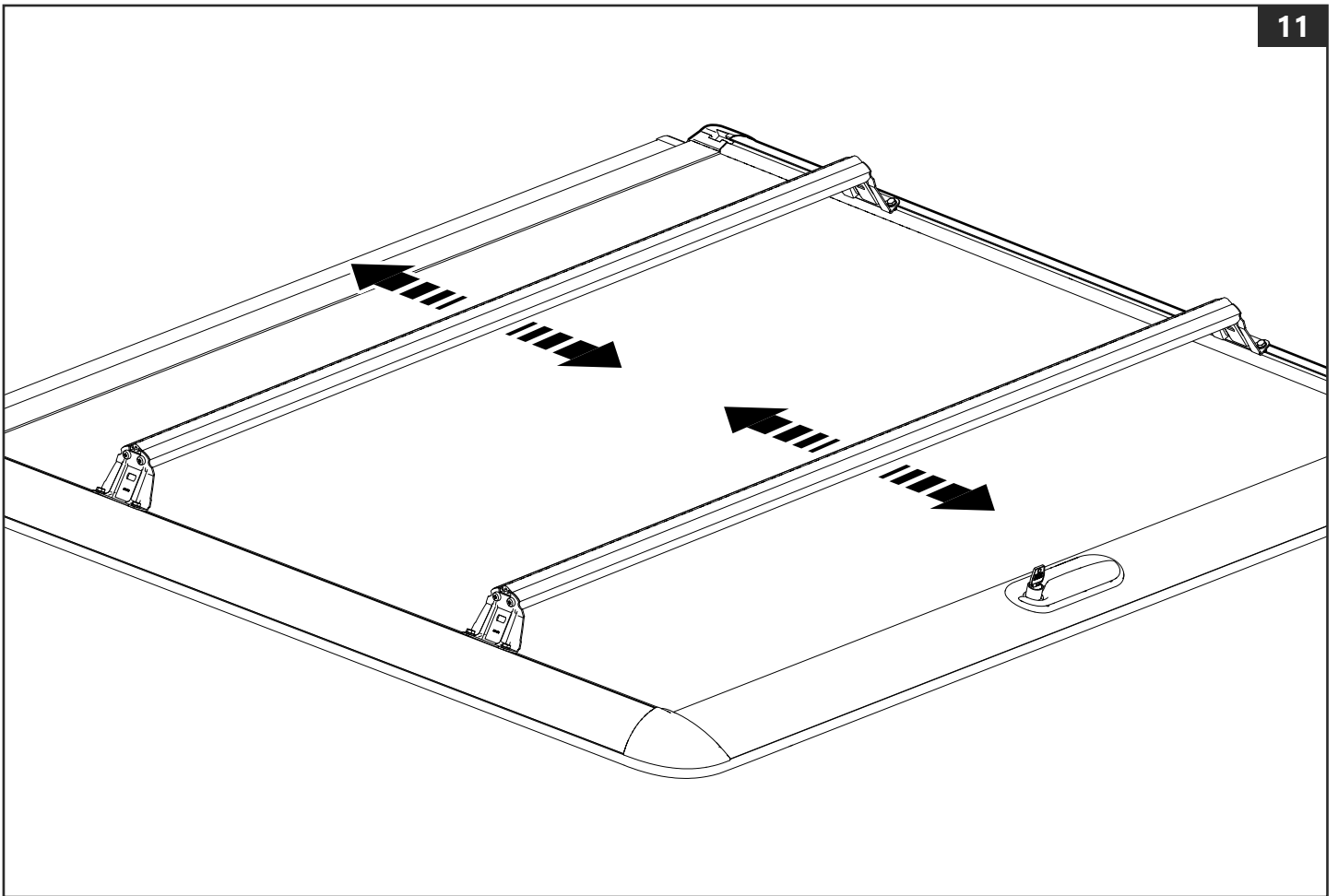
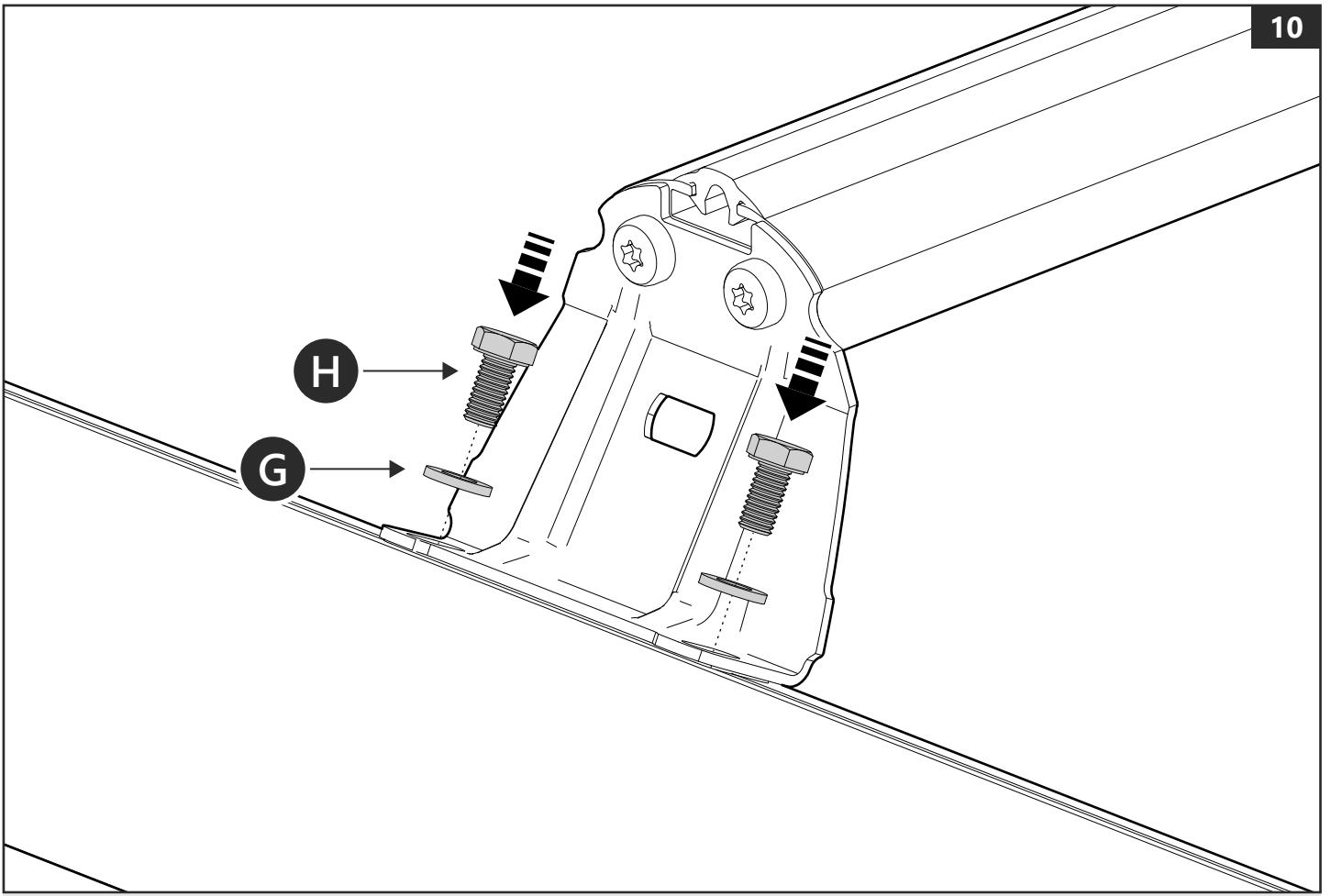
4



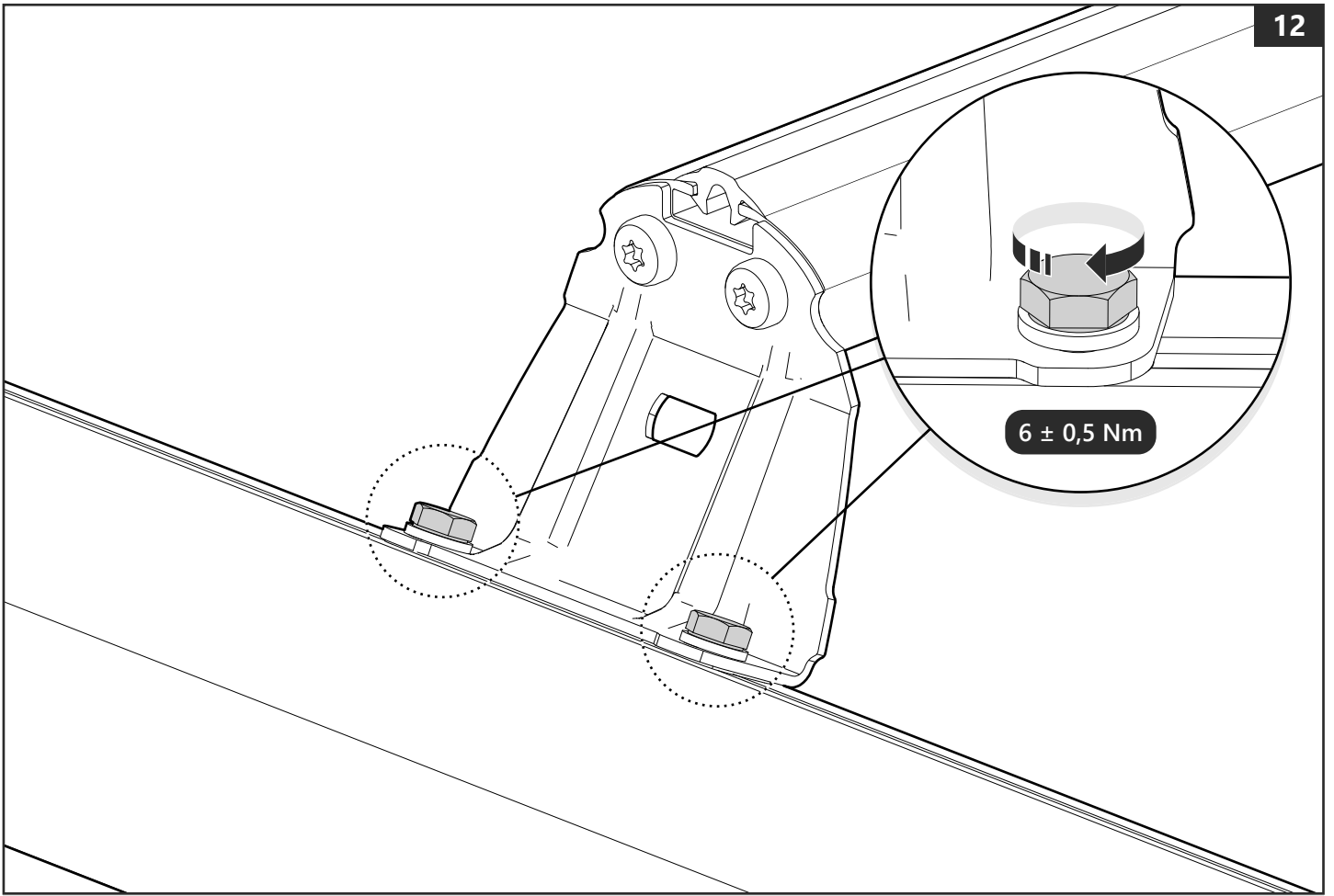




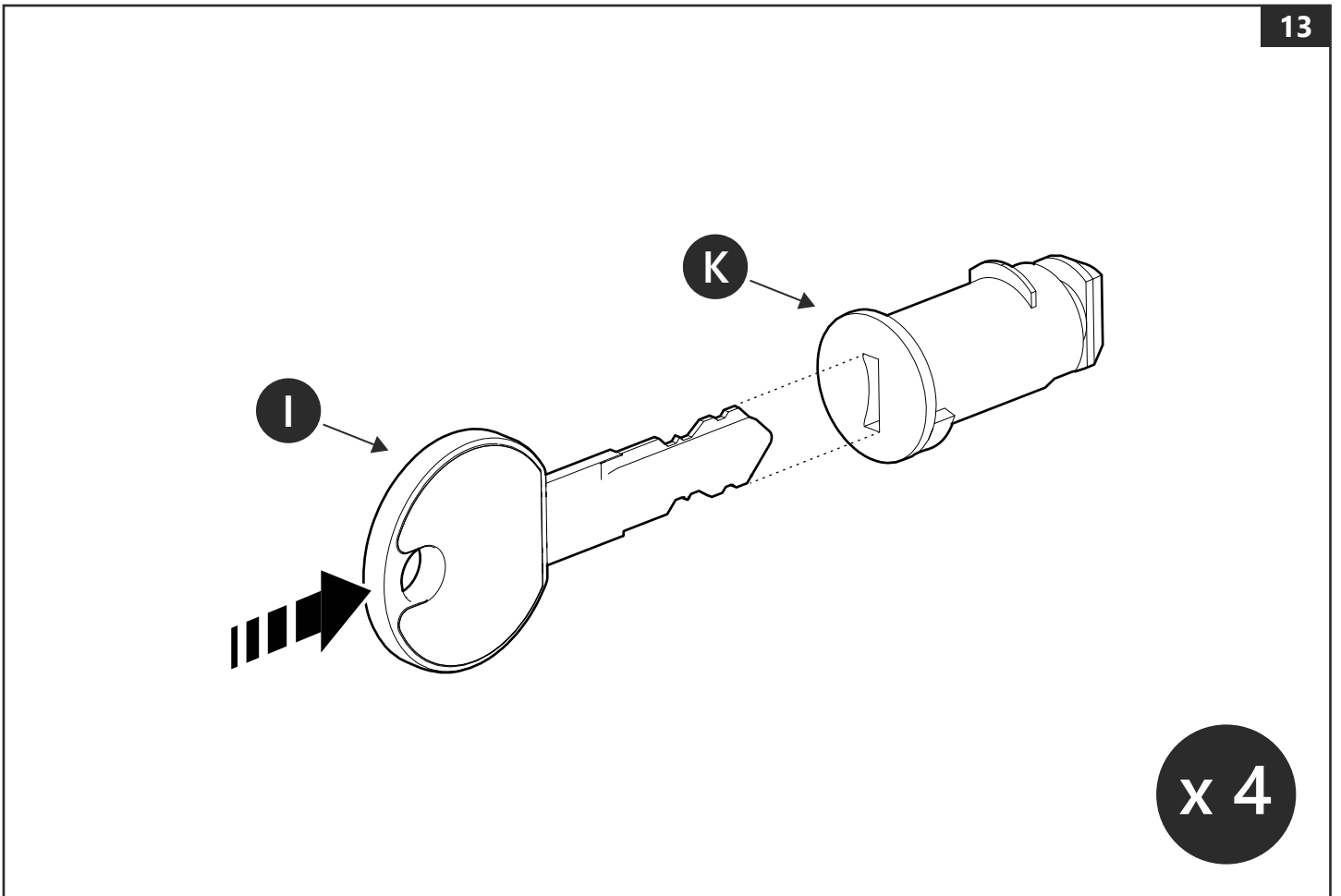


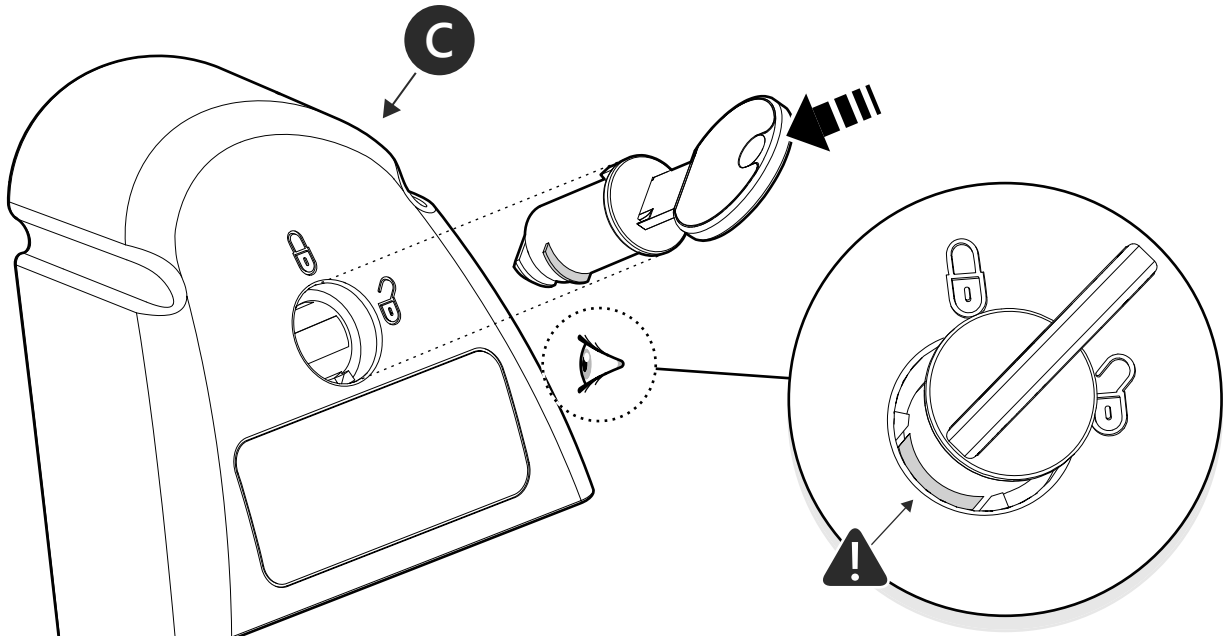


12



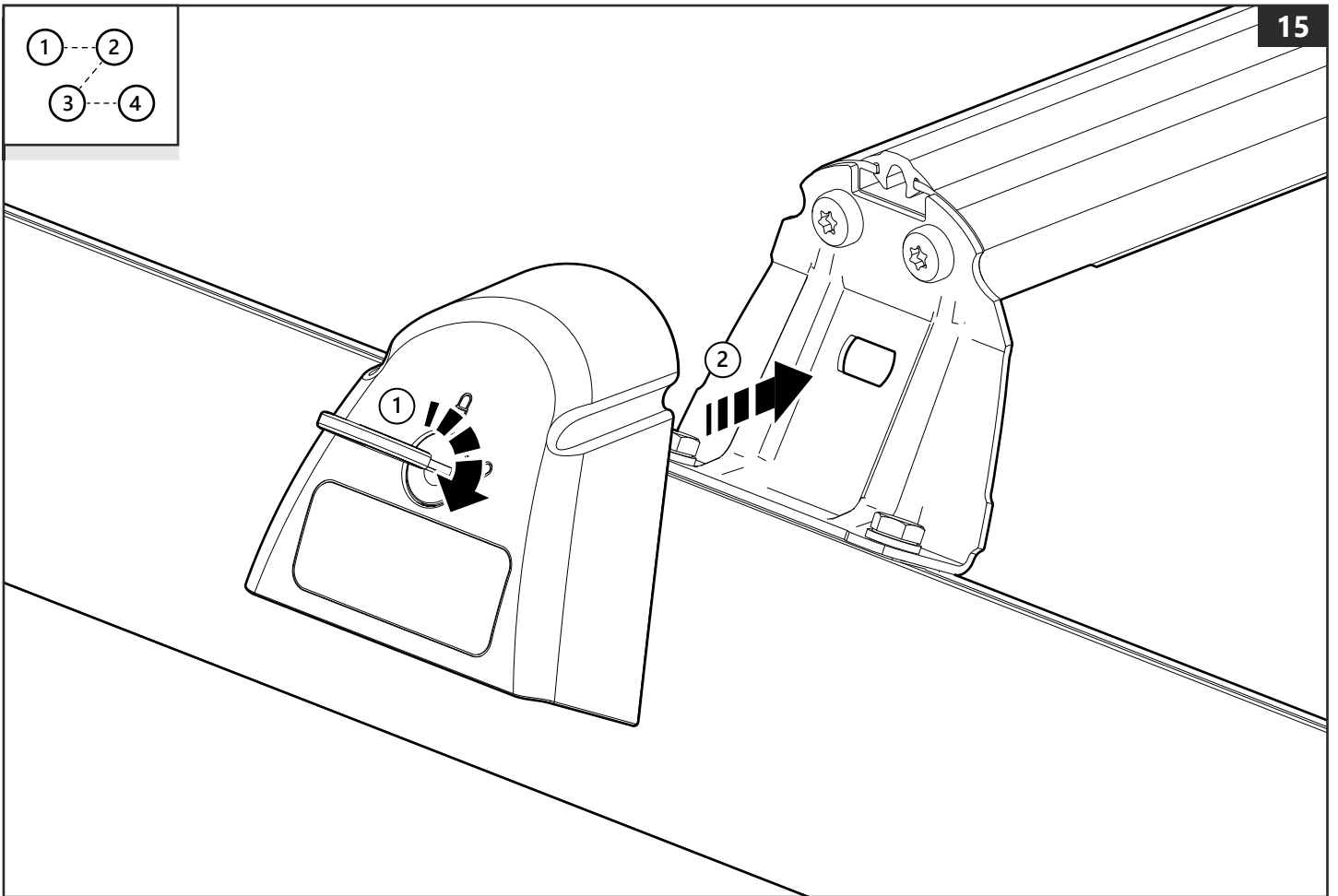
13

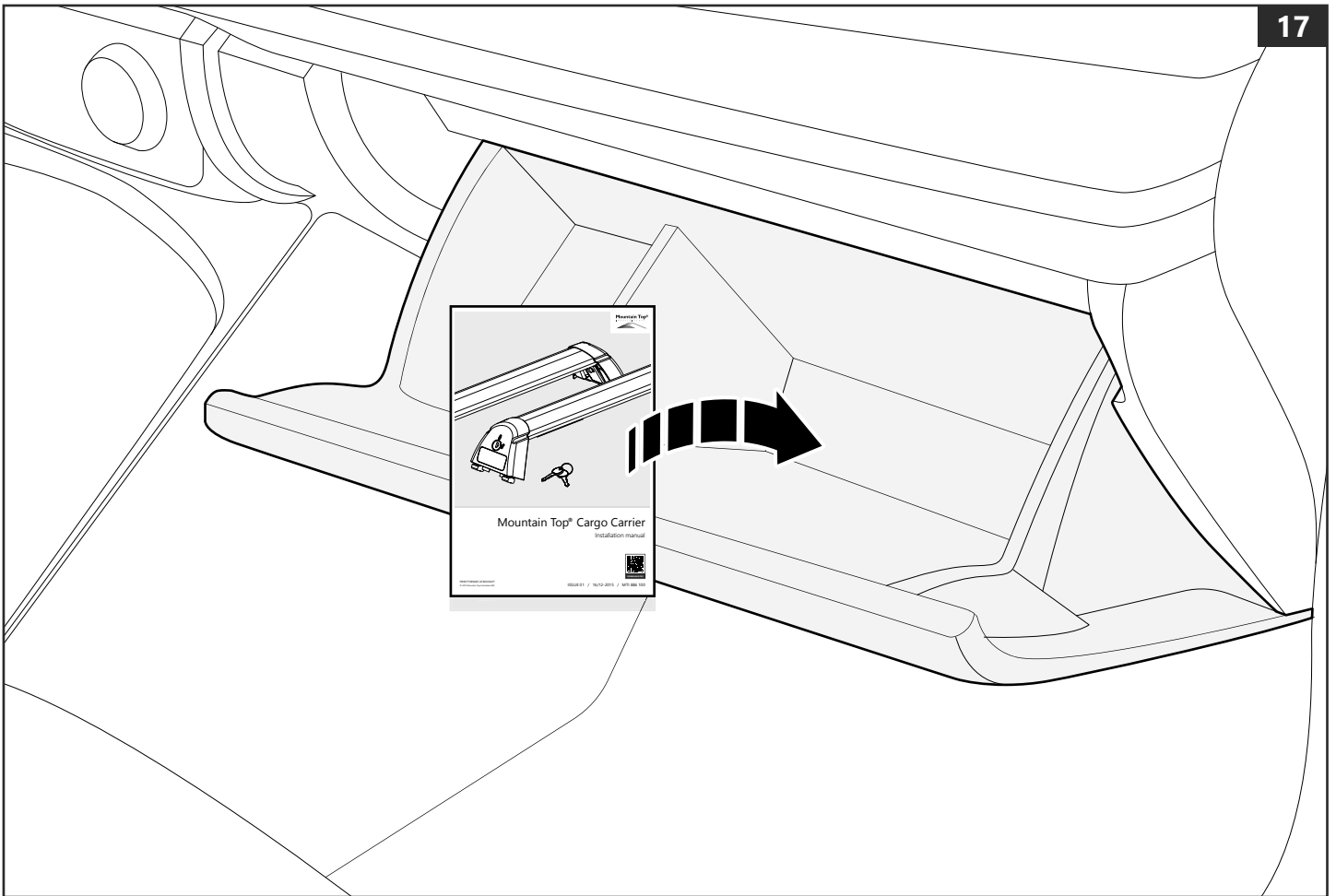
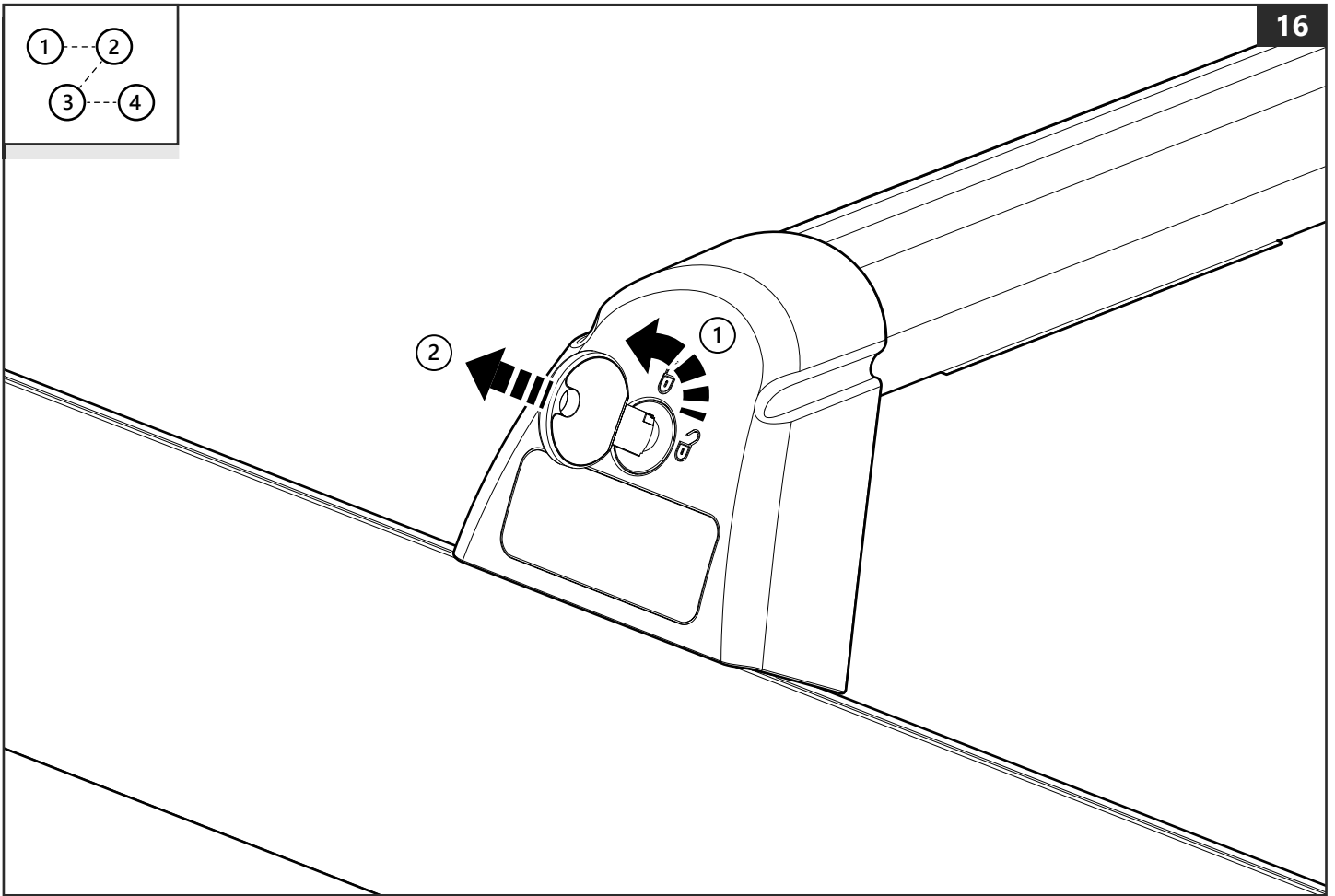
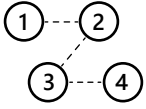


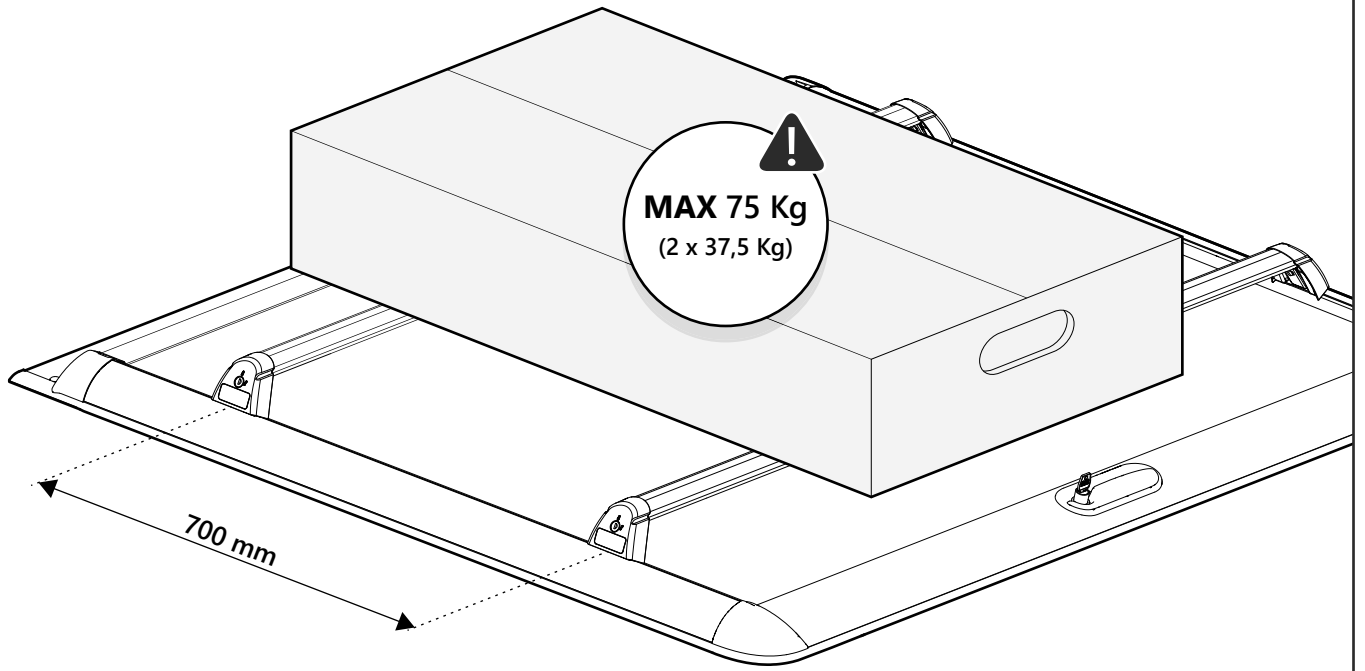


x 4

- 1 - 2
- 3 - 4









Customer Service	+45 4810 2950 (08:00 - 16:00 CET)
Fax	+45 4810 2960
Support	info@mountaintop.dk
Website	www.mountaintop.dk
Address	Pedersholmparken 10, 3600 Frederikssund, Denmark

INSTALLATION TIME	WEIGHT
15 minute(s)	5 Kg

GB Installation manual	S Monteringsanvisning	D Einbauanleitung
SF Asennusohje	E Instrucciones de montaje	CZ Návod k instalaci
F Notice de montage	H Szerelési utasítás	I Istruzioni de montaggio
PL Instrukcja montażu	P Instruções de instalação	GR Οδηγίες Εγκατάστασης
NL Installatie-instructies	RUS Инструкция по установке	DK Monteringsvejledning
TR Montaj Talimatı	N Monteringsveiledning	RO Instructiuni de instalare