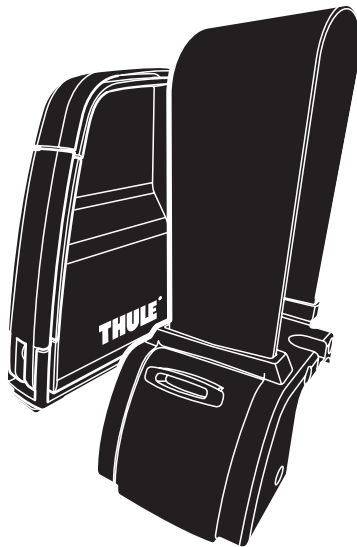


THULE[®]
SWEDEN

Thule Ladder Holder 330

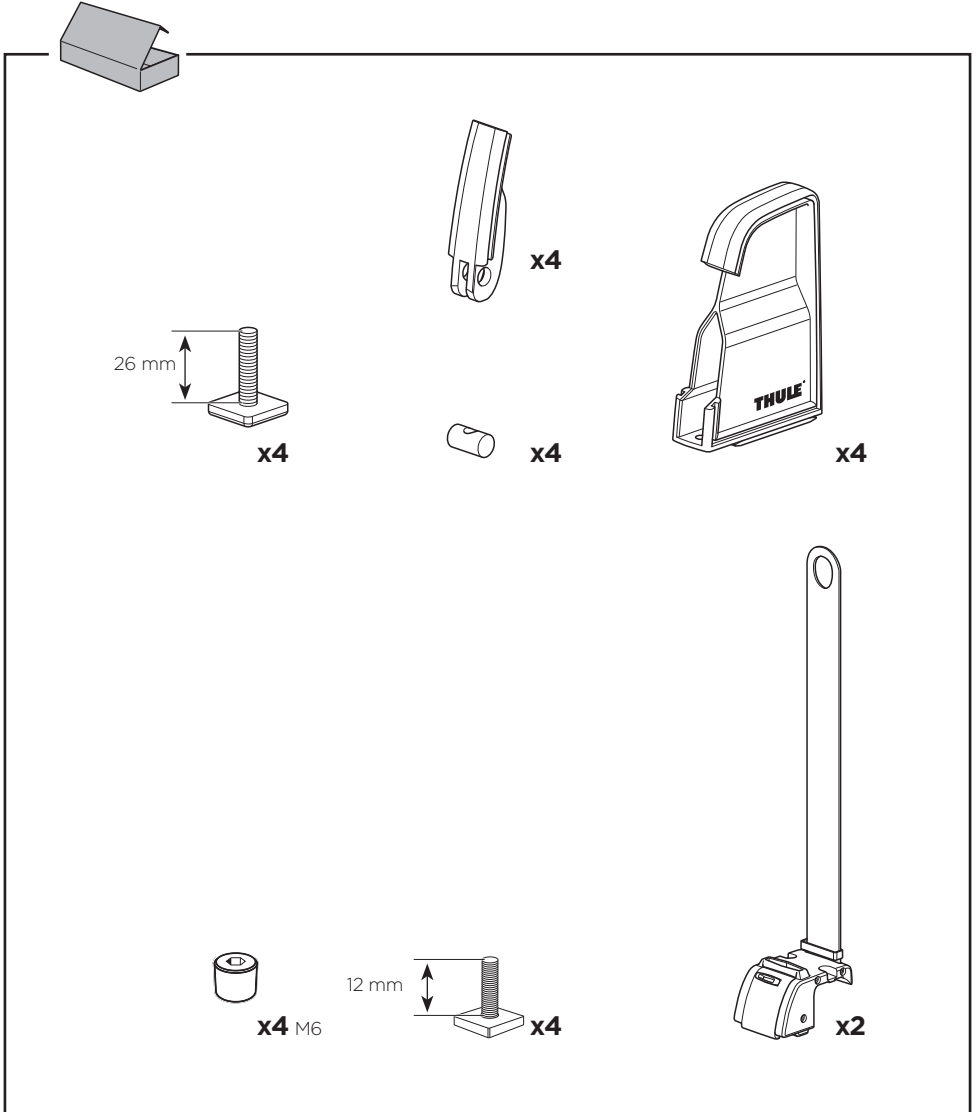
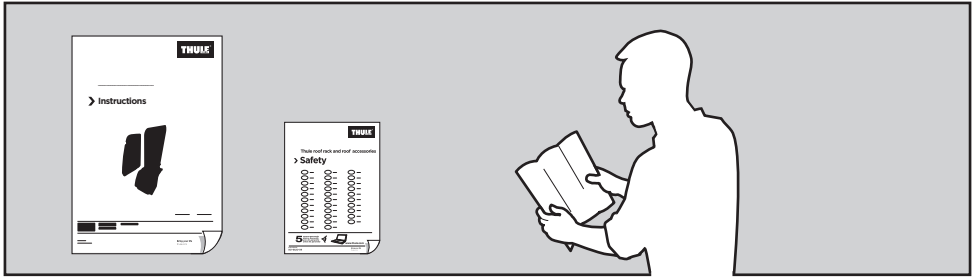
> Instructions



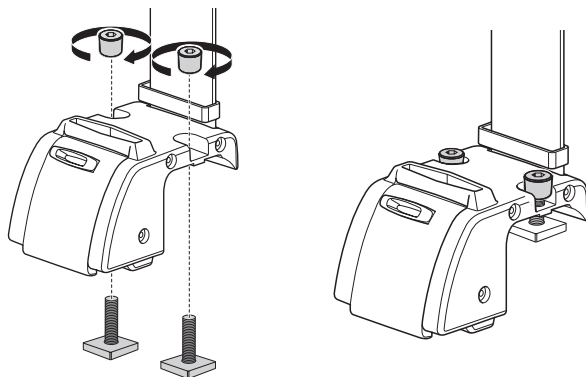
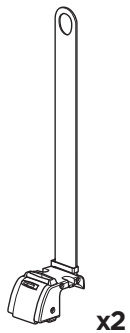
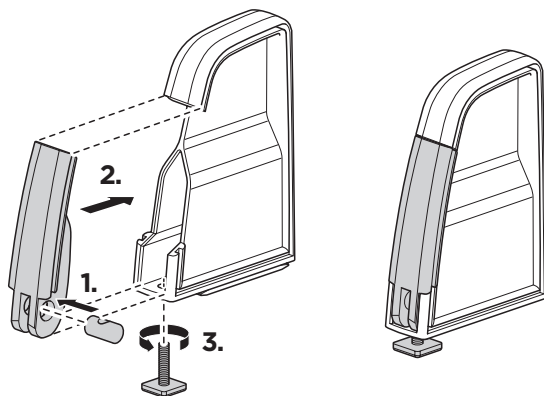
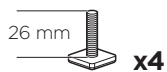
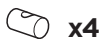
330000

AS/8.20160531
501-7177-05

Bring your life
thule.com



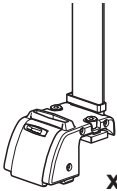
1



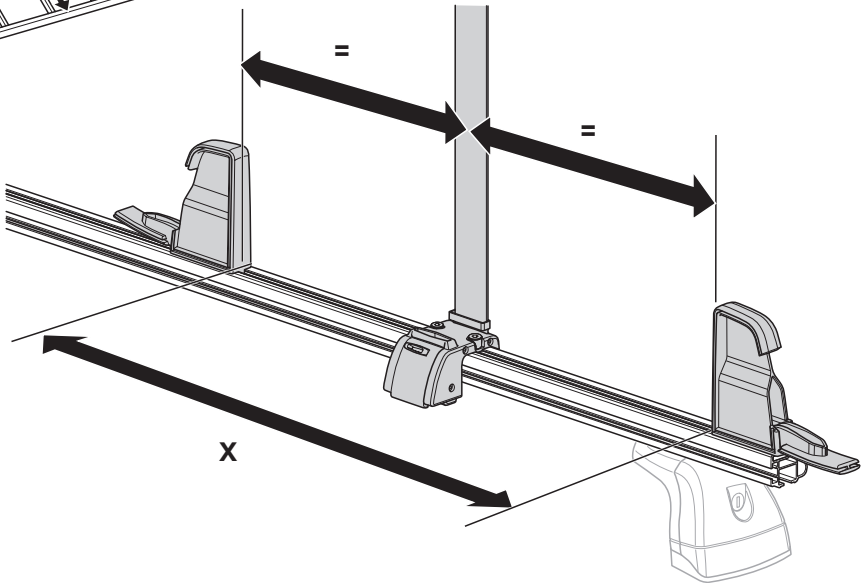
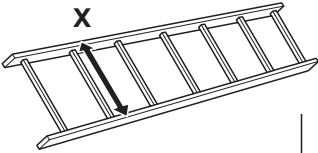
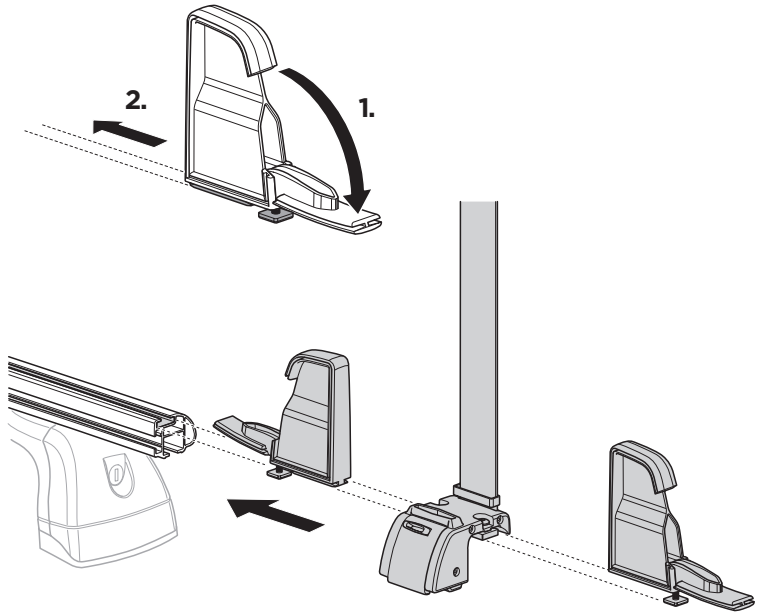
2



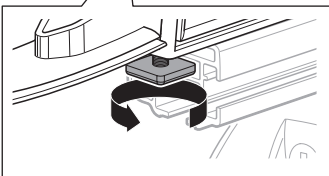
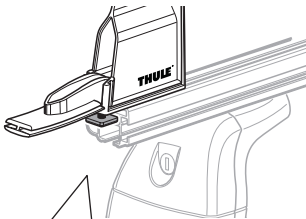
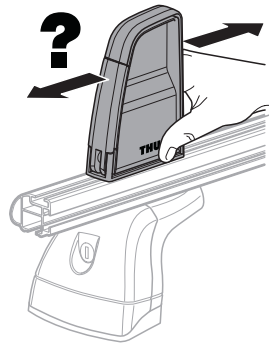
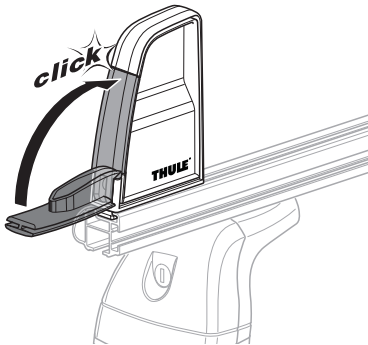
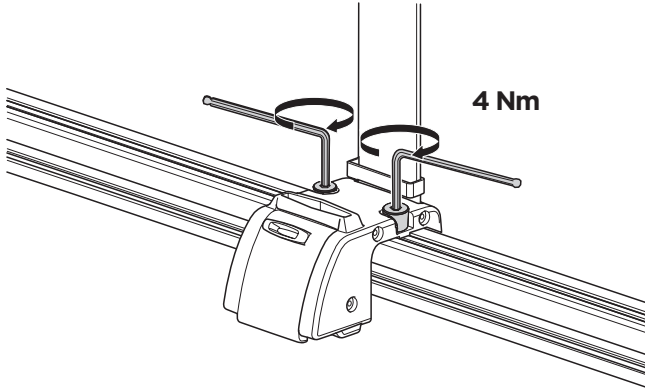
x4



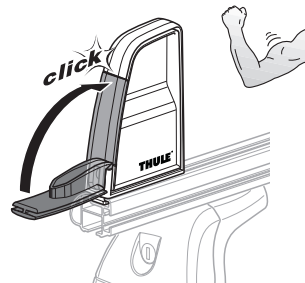
x2



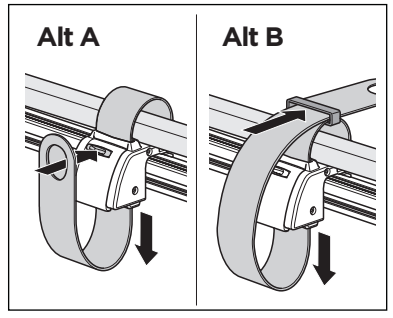
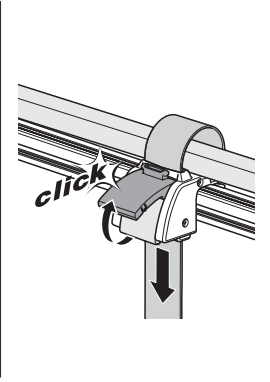
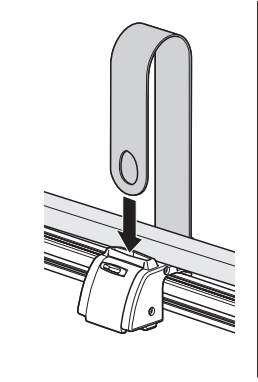
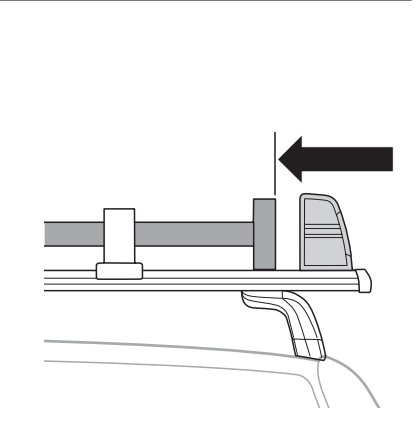
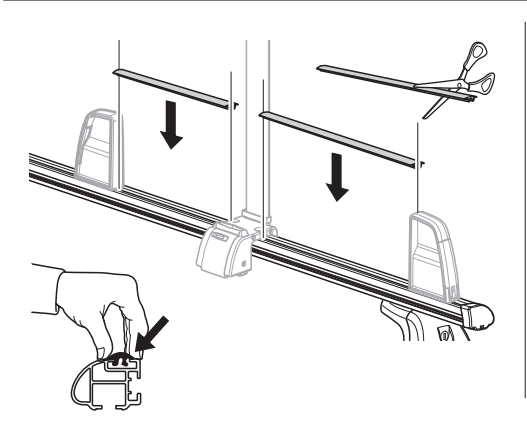
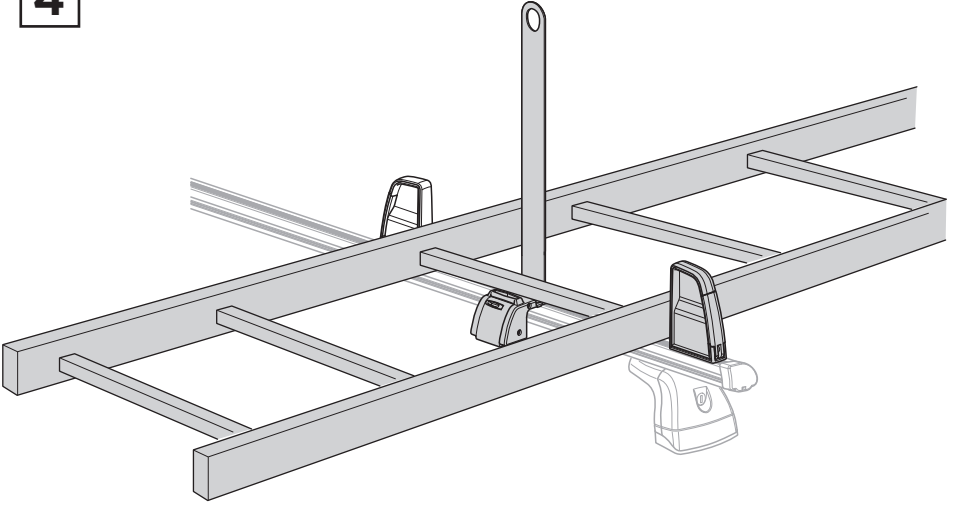
3



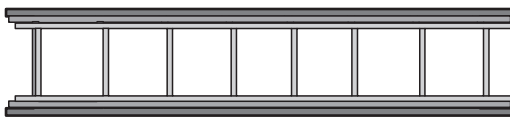
10-15 kg



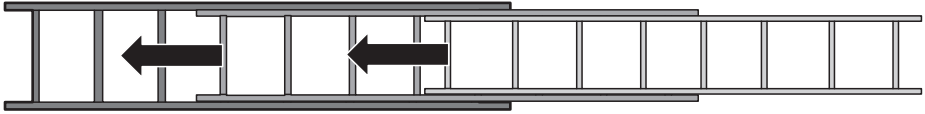
4



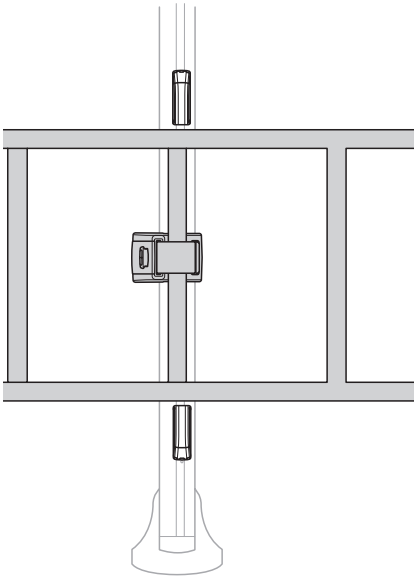
i



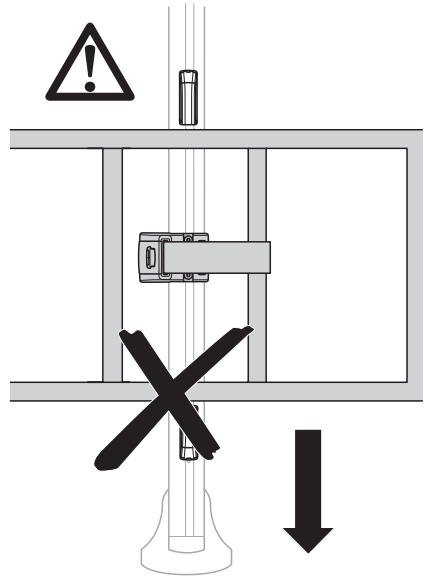
Max 3



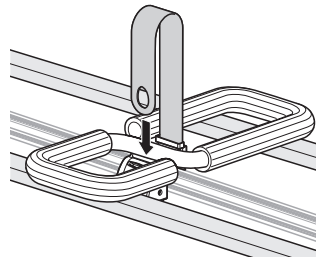
ok
✓

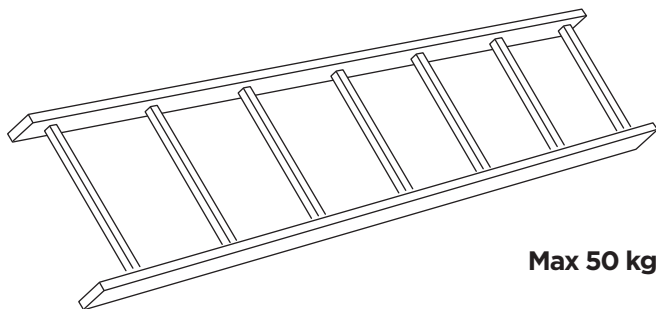


Not ok
✗



310

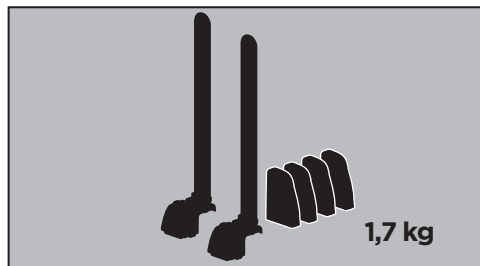
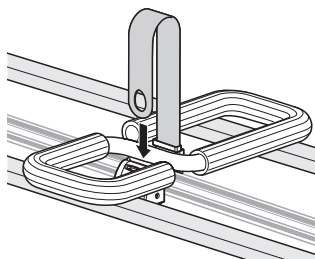




Max 50 kg



310



1,7 kg

