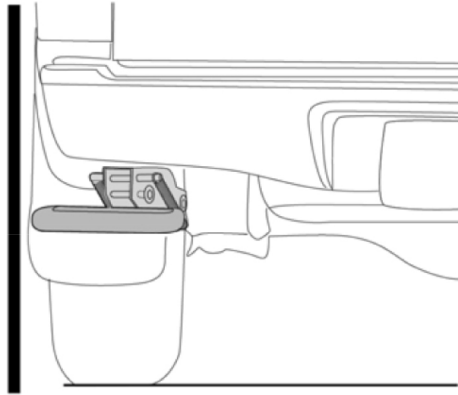
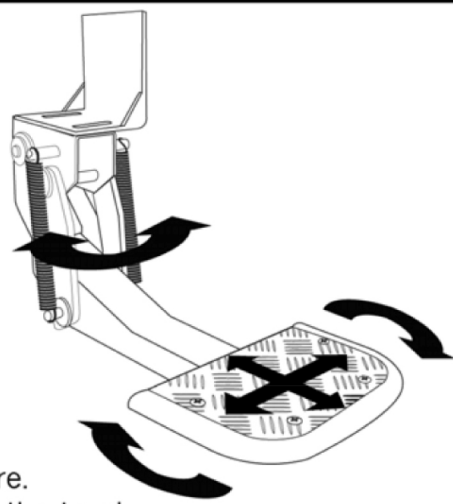
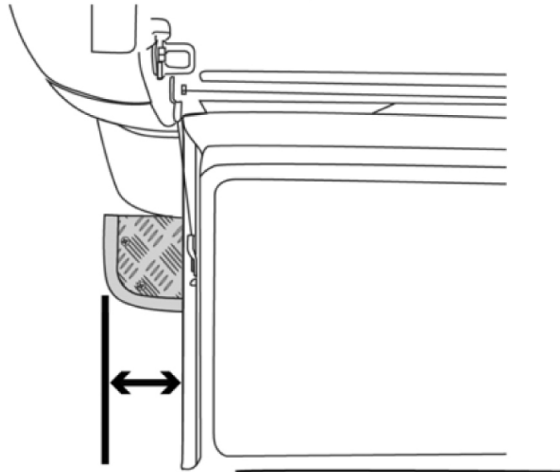


Adjustment

1. Retracted position - make sure.
The step not access the side of the truck.



2. Deployed position -make sure the side-angle movement is
enough to give access to the step even with the tailgate down.

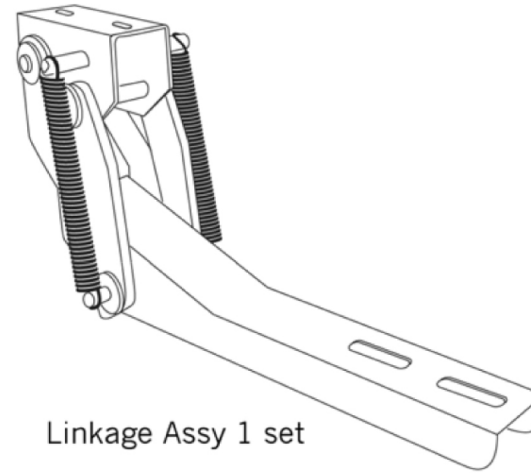


Installation Guide

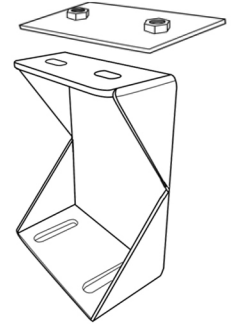
T-STEP

Model : FORD T6

Part List



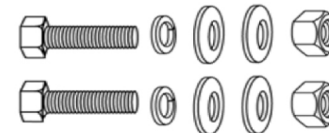
Linkage Assy 1 set



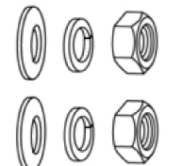
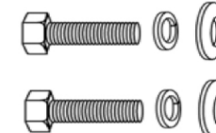
Mounting bracket 1 pc



Top plate 1 pc

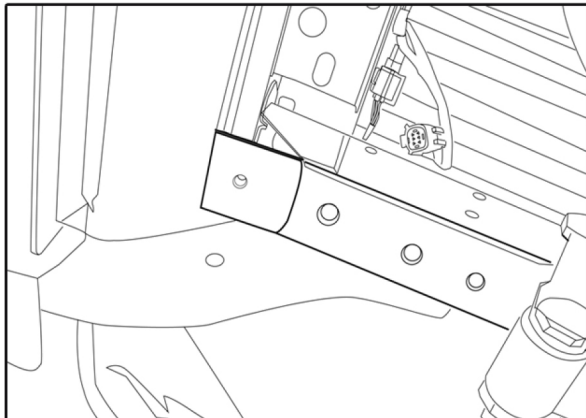


Bolt M 10x30, washer(2),
spring washer, nut
2 sets

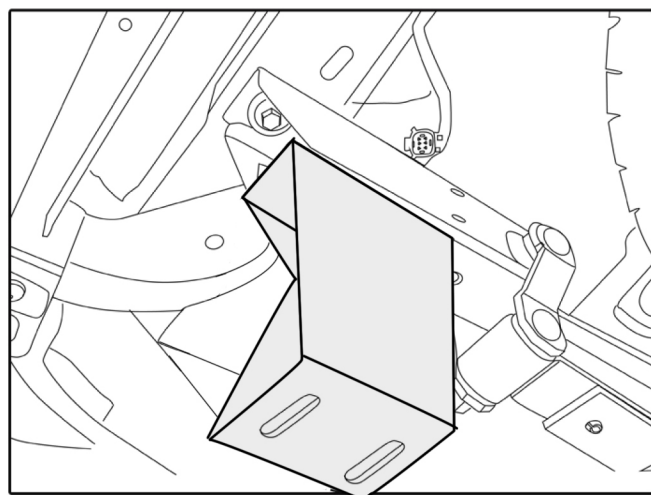
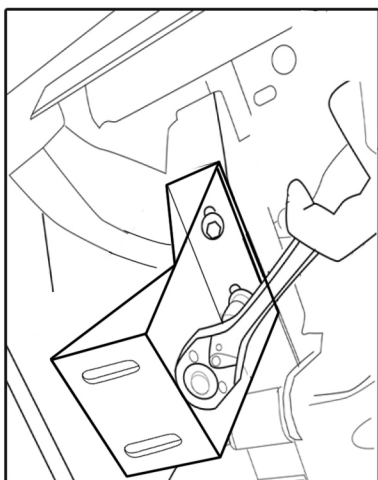


Nut M 10 , spring washer,
washer
2 sets

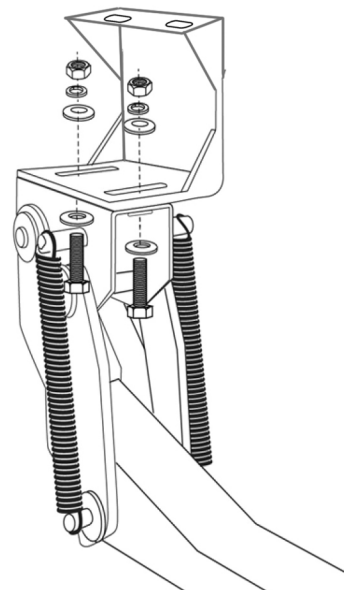
1.



2.

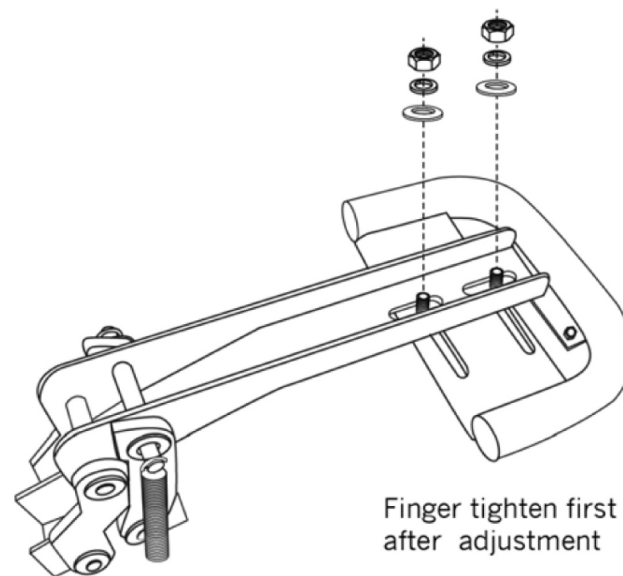


3. Install linkage assy (use bolt M10x30, washer, spring washer, nut)



Finger tighten first and 30 Nm
After adjustment

4. Install step (use nut M10, washer, spring washer)



Finger tighten first and 10 Nm
after adjustment