

# INSTALLATION INSTRUCTION

# HOOD STRUT



**PICKUPATTITUDE.COM**

QUESTIONS BEFORE INSTALLATION ?



**CONTACT@PICKUPATTITUDE.COM**

+33 4 94 00 37 00



N° SIRET : 492 664 172 00029



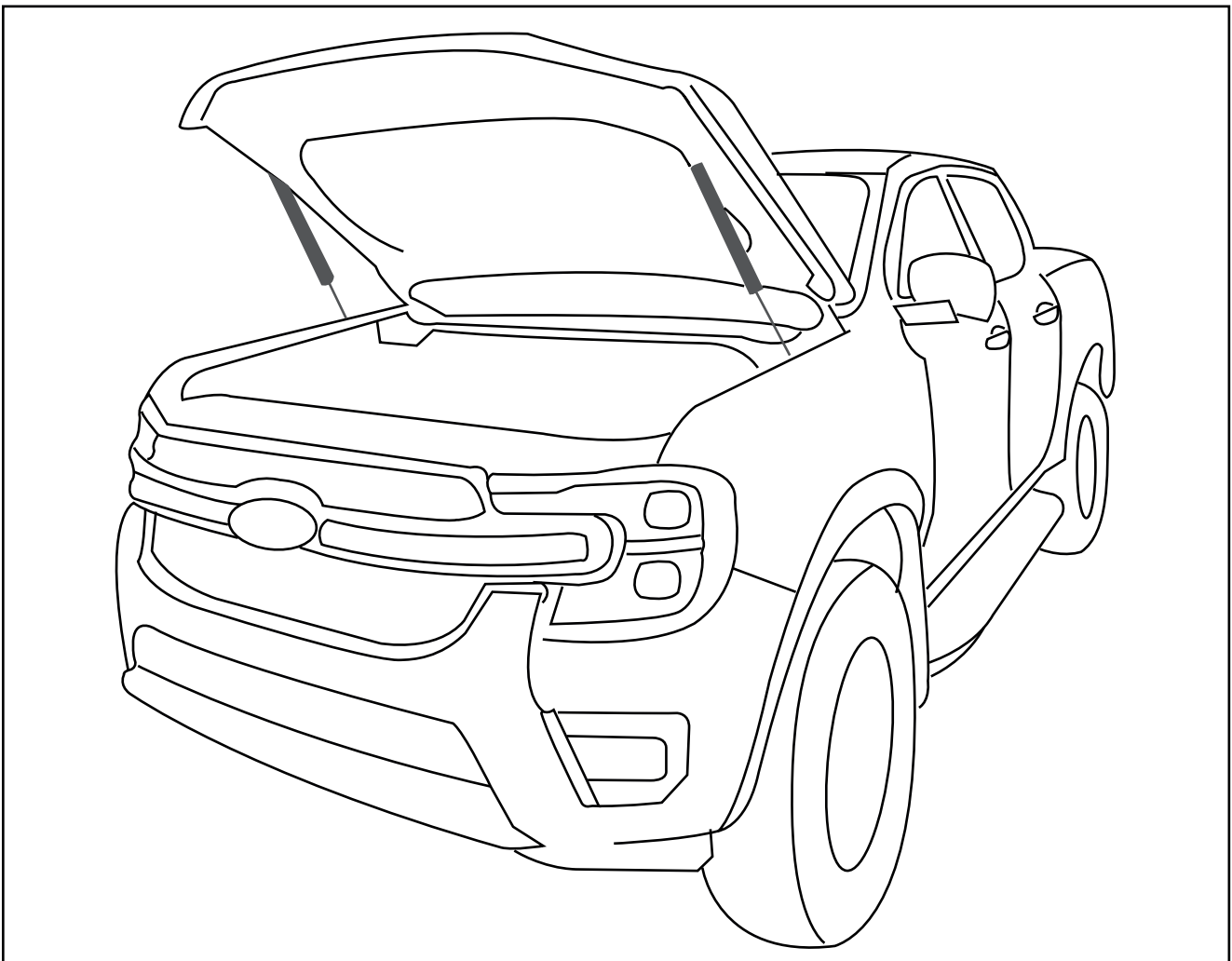
**RANGER**

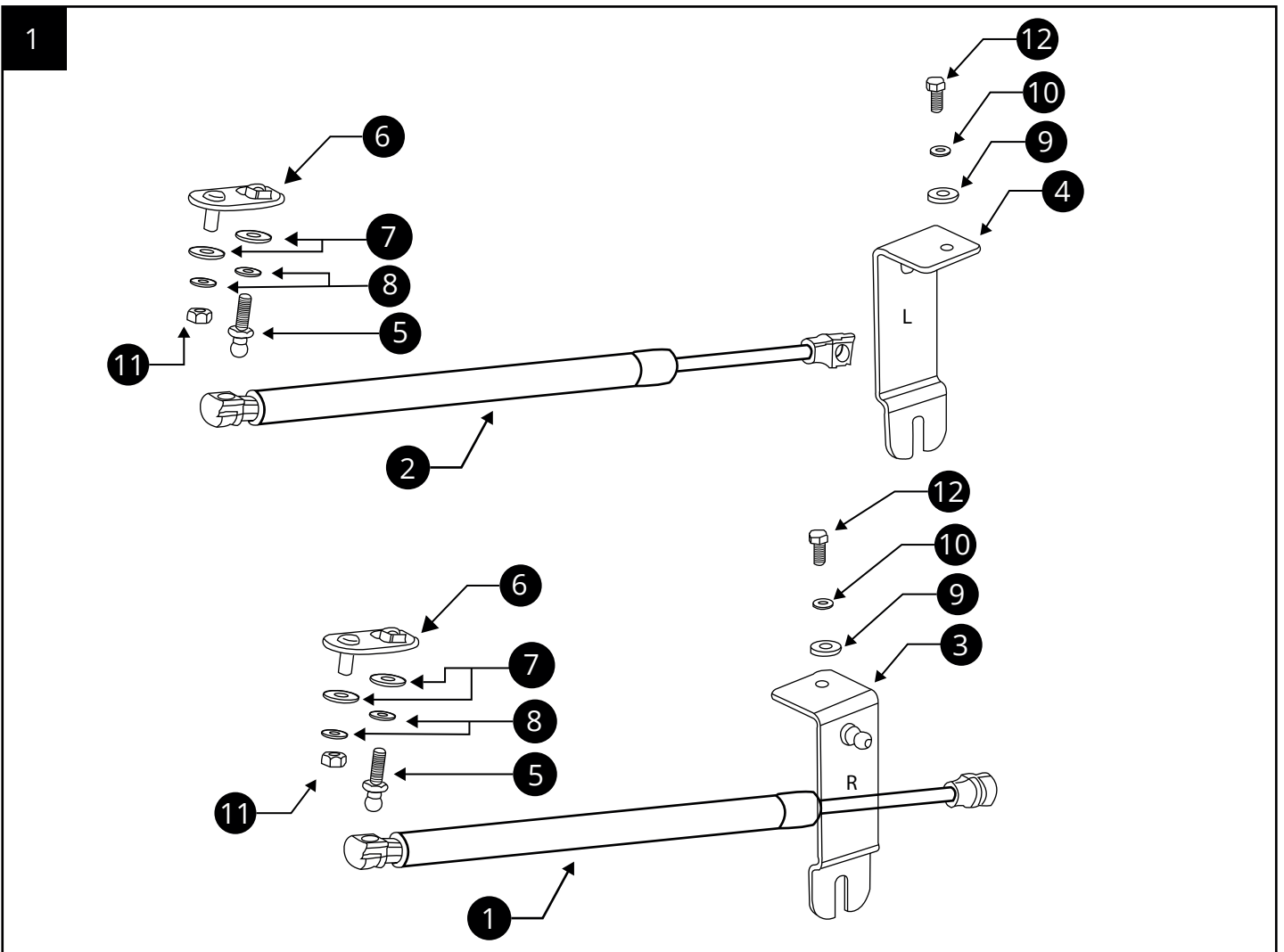
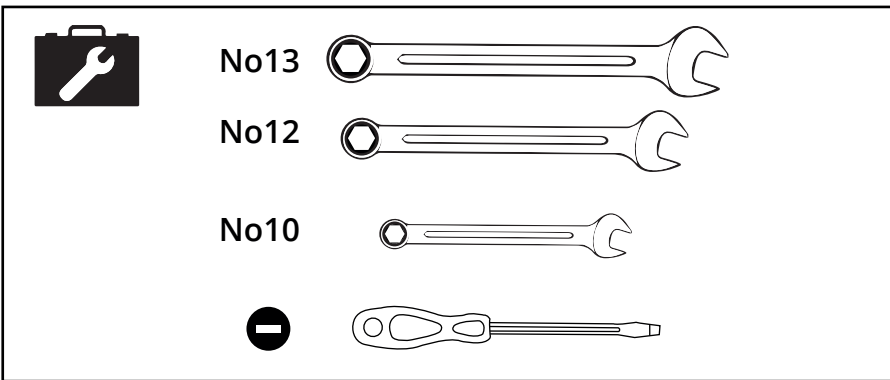
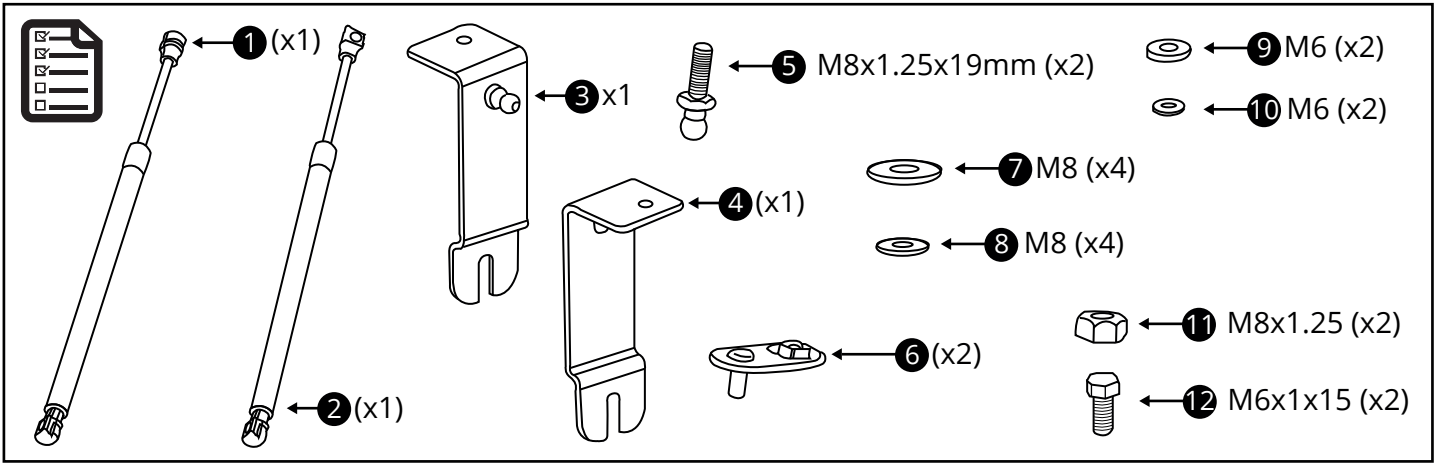
Fitted Ford Ranger **P703**

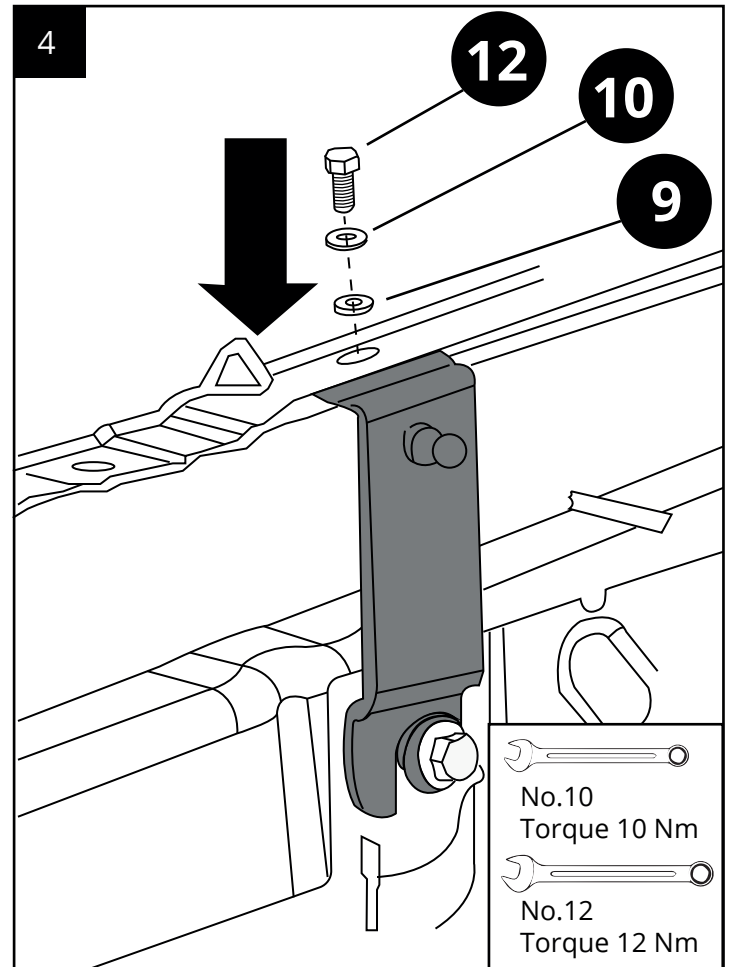
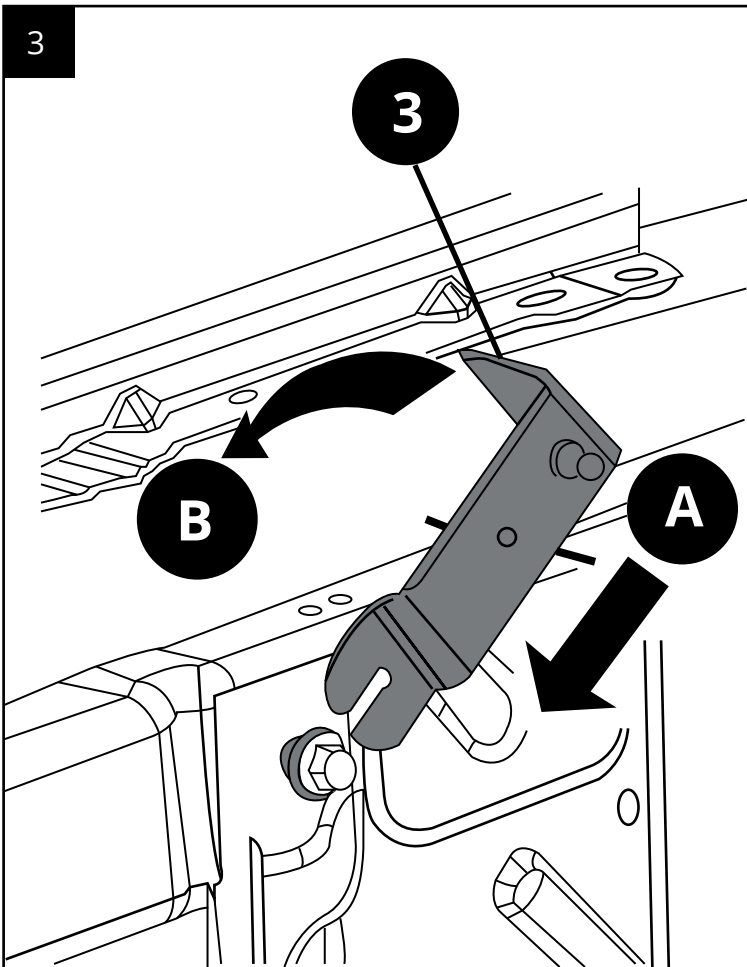
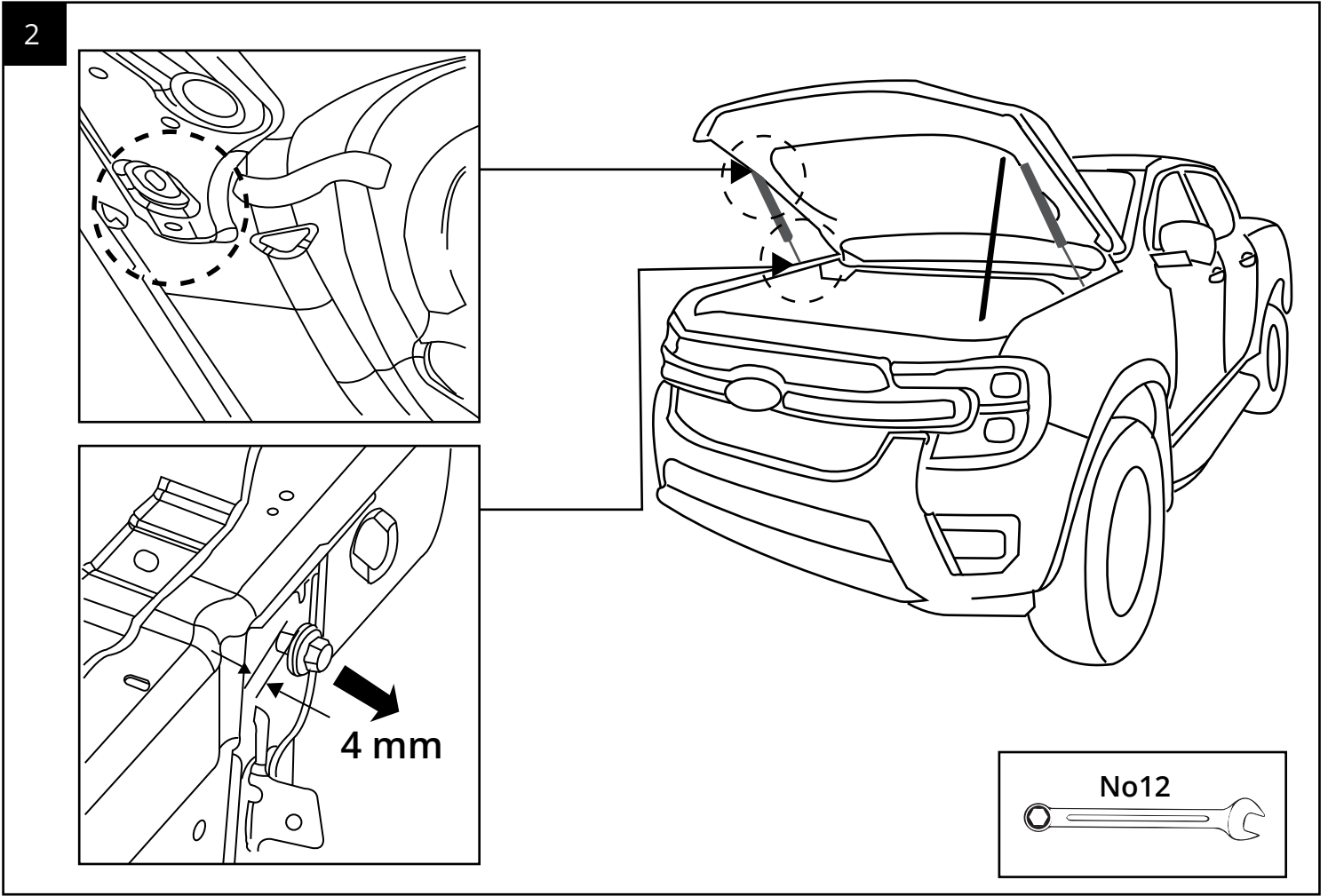


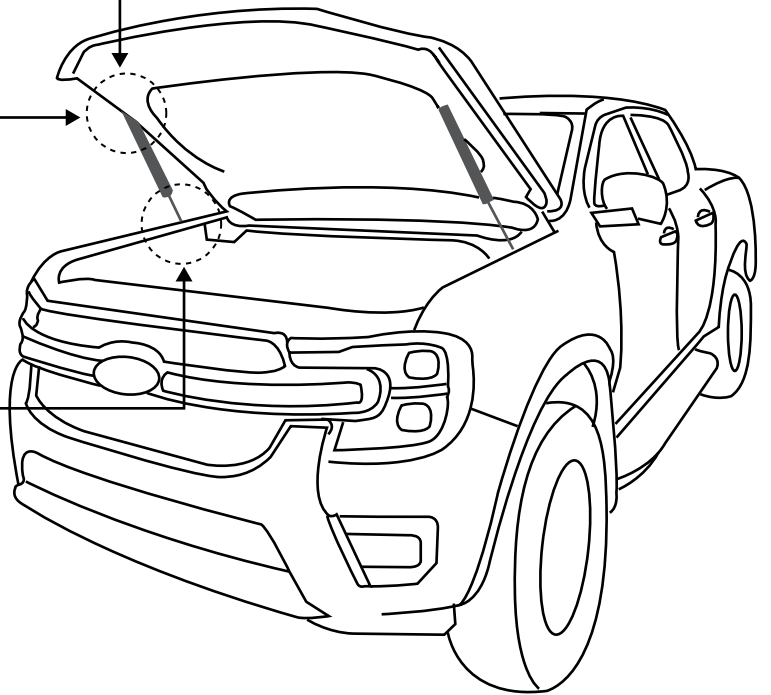
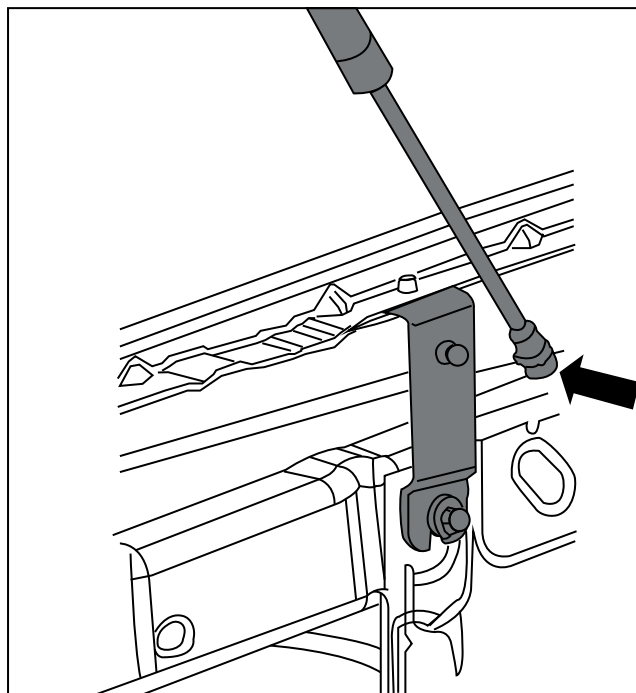
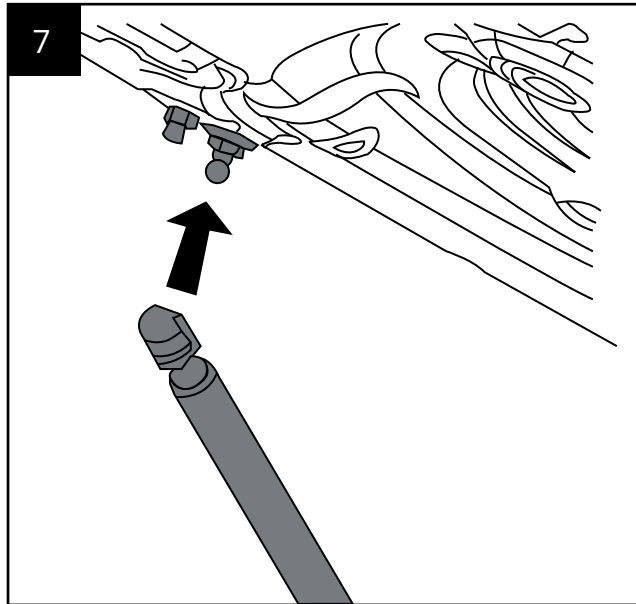
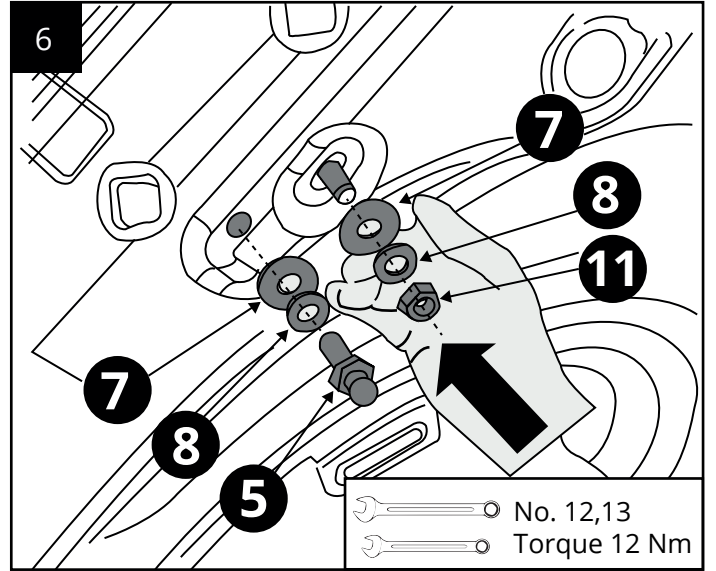
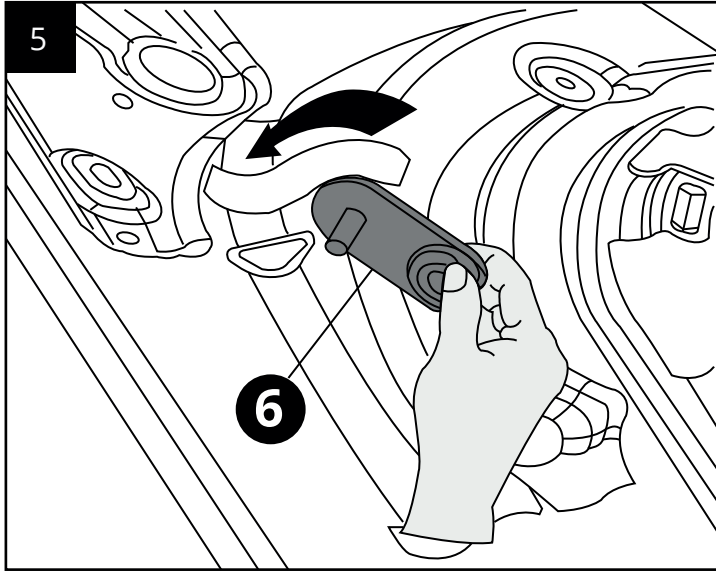
## INSTALLATION MANUAL HOOD STRUT

Fit time: 15 mins





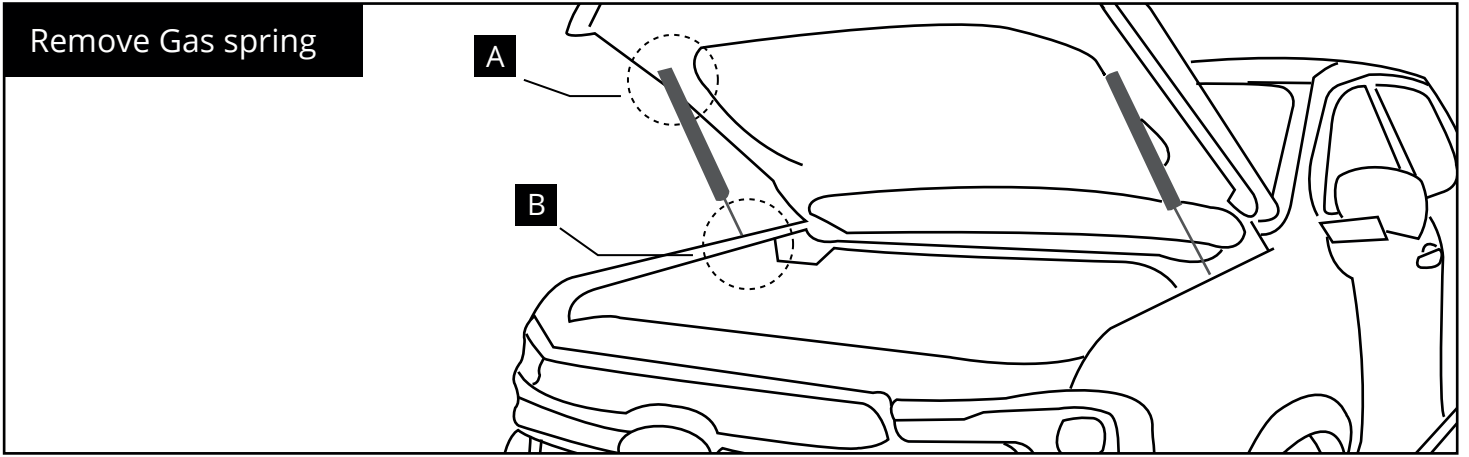




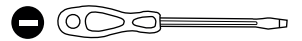
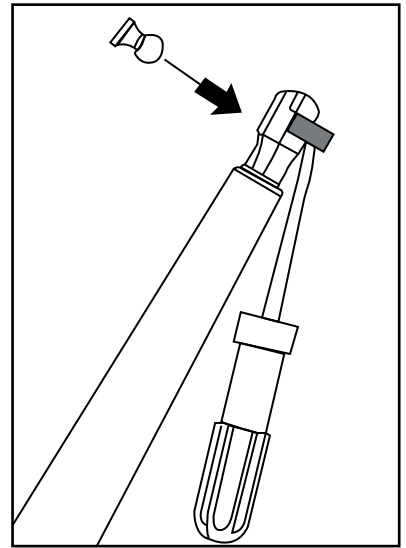
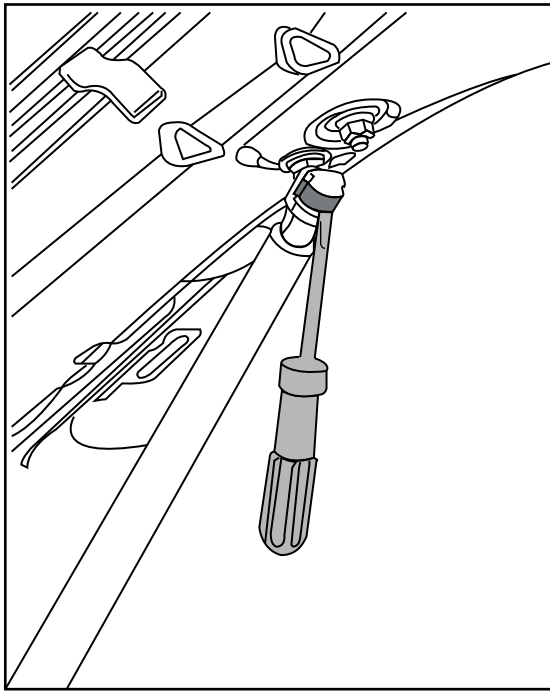
Remove Gas spring

A

B



1



2

